

LRX

our number 1

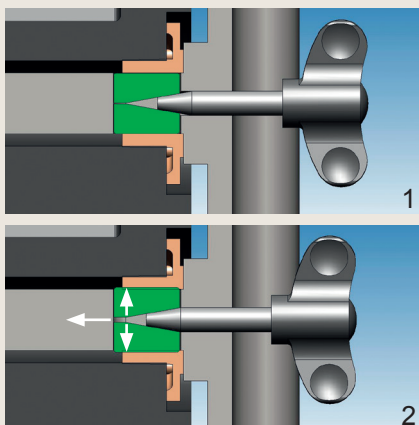


Achtung!
Vor Öffnen des Gehäuses
Netzstecker ziehen



SPECIAL FEATURES

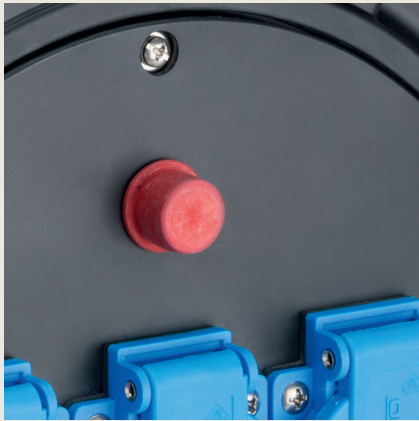
- $K + M = X$ → advantages of the proven LRK and LRM series combined in one cable reel
- new compact industrial design
- optimised shape, weight reduction and ergonomics
- large front cover for many variants, e.g. max. 5 x sockets with earthing contact
- front cover with injected PU seal
- adapted shape protects the brake wing screw
- optimised/small gap size between frame and reel body prevents jamming of the cable
- with internal locking and unwinding brake, braking efficiency adjustable by means of the wing screw (see diagrams below)
- soft cable entry prevents wire breaks by means of generous bending radii
- with overheating protection
- LED with switch optionally for initial lighting or illumination of a small construction site
- carrying frame optionally with clamping shell feet
- robust and stable tube frame, plastic powder coated
- protectively insulated and splash-proof
- compliant with the test principle in accordance with GS-ET-35 (principles for the testing and certification of cable reels for construction and installation sites)



Principle of the Inside Brake:

- The wing screw has a tapered tip that rests between the two brake blocks (see fig. 1).
- By screwing in the wing screw, the brake blocks are pressed apart (see fig. 2) and exert force on the nylon bearing bush, which in turn is tightly connected to the rubber reel body.
- Braking pressure can be continually increased by turning the wing screw.
- If the wing screw is turned back, then pressure on the brake is reduced and the brake blocks return to their original position.

– other models on request / subject to modification and errors –



with overheating protection



insulated carrying handle



equipment variants with different safety features possible



the shape of the carrying frame protects the wing screw of the internal brake from damage



alternatively with integrated LED light with switch



the optimised gap size between carrying frame and reel body prevents jamming and possible damage to the cable



the large front cover allows many different equipment variants



optionally with clamping shell feet

– other models on request / subject to modification and errors –

Solid Rubber Cable Reels

with overheating protection

Series LRX

Configuration Examples



Number

Output

Sockets

Cable Length
Meters

Cross-Section
mm²

Plugs

Order No.



3 sockets with earthing contact	25	3 G 1,5	with earthing contact	4X00001
	33			4X00002
	40			4X00003
	50			4X00004
3 sockets with earthing contact	25	3 G 2,5	with earthing contact	4X00021
	33			4X00022
	40			4X00023
	50			4X00027



3 sockets with earthing contact IP 66/68	25	3 G 1,5	with earthing contact IP 66/68	4X00041
	33			4X00042
	40			4X00043
	50			4X00044
3 sockets with earthing contact IP 66/68	25	3 G 2,5	with earthing contact IP 66/68	4X00061
	33			4X00062
	40			4X00063
	50			4X00066



2 sockets with earthing contact LED + switch	25	3 G 1,5	with earthing contact	4X00081
	33	3 G 1,5		4X00082
	40	3 G 1,5		4X00083
	50	3 G 1,5		4X00084



3 sockets with earthing contact with PRCD-S	25	3 G 1,5	with earthing contact	4X10001
	33			4X10002
	40			4X10003
	50			4X10004
3 sockets with earthing contact with PRCD-S	25	3 G 2,5	with earthing contact	4X10021
	33			4X10022
	40			4X10023
	50			4X10025

– other models on request / subject to modification and errors –

Series LRX		Configuration Examples			Solid Rubber Cable Reels	
Number	Output Sockets	Cable Length	Meters	Cross-Section mm ²	Plugs	Order No.

with overheating protection



2 sockets with earthing contact 1 RCD Type A / 25 A / 30 mA	25	3 G 1,5	with earthing contact	4X10051
	33			4X10052
	40			4X10053
	50			4X10054
2 sockets with earthing contact 2 RCB Type A / 16 A / 30 mA 2 pol. / C-Char.	25	3 G 1,5	with earthing contact	4X10072/C
	33			4X10074/C
2 sockets with earthing contact 2 RCB Type A / 16 A / 30 mA 2 pol. / C-Char.	25	3 G 2,5	with earthing contact	4X10073/C
	33			4X10075/C



1 CEE 400 V / 16 A / 5 p. 2 sockets with earthing contact	25	5 G 2,5	CEE 400 V / 16 A / 5 p.	4X01111
	33			4X01112



2 CEE 24 V / 16 A / 2 p.	25	2 x 2,5	CEE 24 V / 16 A / 2 p.	4X01121
2 CEE 24 V / 16 A / 2 p.	33	2 x 4,0	CEE 24 V / 16 A / 2 p.	4X01122
	40			4X01123
2 CEE 42 V / 16 A / 2 p.	25	2 x 2,5	CEE 42 V / 16 A / 2 p.	4X01141
	33			4X01142
2 CEE 42 V / 16 A / 2 p.	40	2 x 4,0	CEE 42 V / 16 A / 2 p.	4X01143



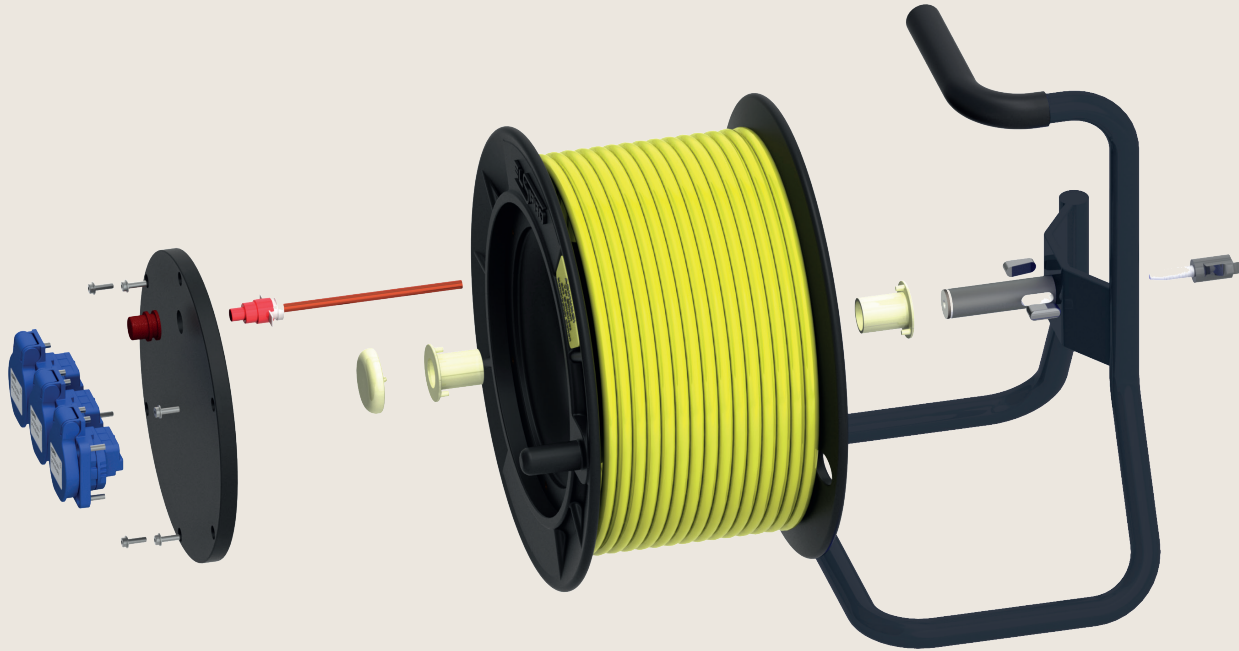
3 Schutzkontakt IP 66/68 1 RCD Typ A / 25 A / 30 mA	25	3 G 1,5	Schutzkontakt IP 66/68	4X10046
	33			4X10047
	40			4X10048
	50			4X10049
3 Schutzkontakt IP 66/68 1 RCD Typ A / 25 A / 30 mA	25	3 G 2,5	Schutzkontakt IP 66/68	4X10076
	33			4X10077
	40			4X10078
	50			4X10079



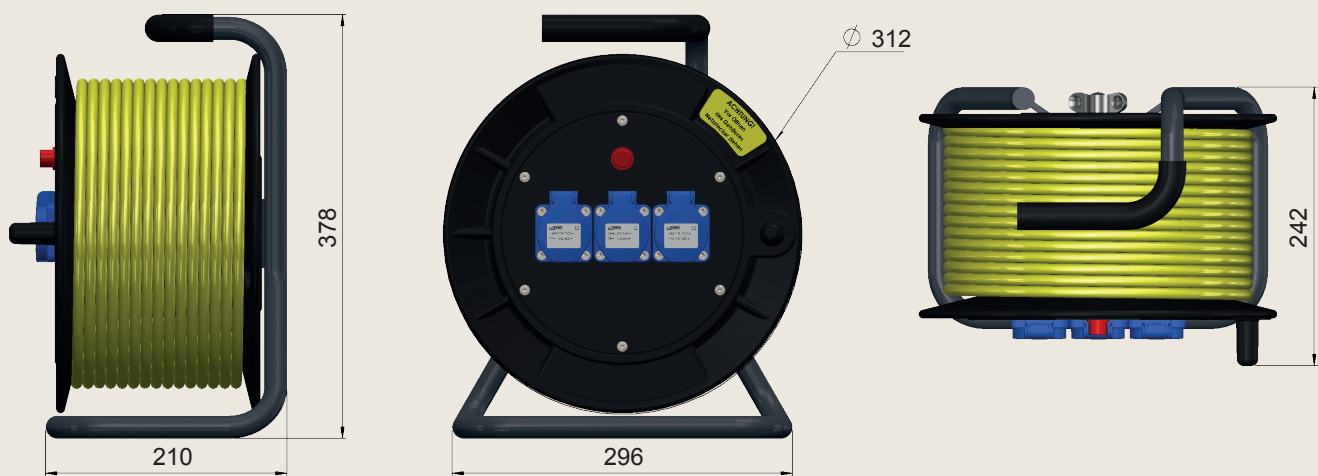
IP67

– other models on request / subject to modification and errors –

EXPLODED DRAWING:



DIMENSIONS:



– other models on request / subject to modification and errors –