

Fig.: BERGER-N-LED with 2 Modules

**MODELS:**

Voltage input	Power	Luminous flux	T <sub>a</sub> max	angle of reflected beam	dimensions	LED Module	Weight	Order no.
230 V AC	69 W	10.767 lm	≤+50°C	60°	415x285x19 mm	1	8,5 kg	<b>BERGER-N-080800</b>
	69 W	10.922 lm	≤+50°C	90°	415x285x19 mm		8,5 kg	<b>BERGER-N-080801</b>
	136 W	21.534 lm	≤+50°C	60°	415x285x19 mm	2	11,0 kg	<b>BERGER-N-080803</b>
	136 W	21.844 lm	≤+50°C	90°	415x285x19 mm		11,0 kg	<b>BERGER-N-080804</b>
	204 W	32.252 lm	≤+50°C	60°	620x285x19 mm	3	14,0 kg	<b>BERGER-N-080806</b>
	204 W	32.726 lm	≤+50°C	90°	620x285x19 mm		14,0 kg	<b>BERGER-N-080807</b>
	287 W	43.002 lm	≤+40°C	60°	825x285x19 mm	4	17,0 kg	<b>BERGER-N-080809</b>
	287 W	43.634 lm	≤+40°C	90°	825x285x19 mm		17,0 kg	<b>BERGER-N-080810</b>

- Dimmable models on request -

**SPECIFICATIONS:**

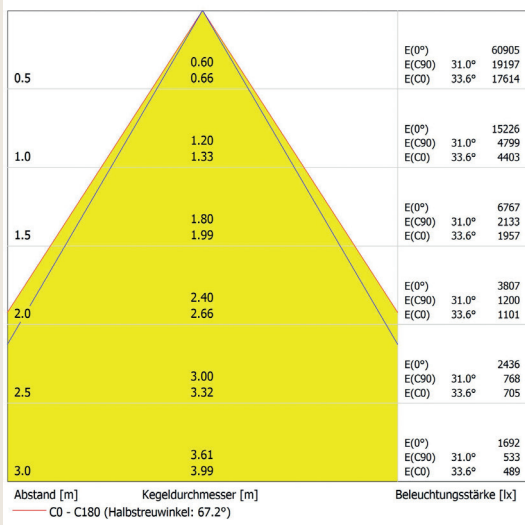
- High-power LED with up to 161 lm/W → providing high light output
- Light color of 4,000 K → neutral white
- CRI +80 → ensuring high color rendering index
- Power factor of 0.98
- Extremely long lifespan of L70B50 Ta70 - 100,000 hours, even at high ambient temperatures → demonstrating remarkable durability
- BERGER-N-LED ATEX for Gas Zone 2/Dust 21 Ex II 3G Ex nR IIC T6...T5 Gc Ex II 2D Ex tb op is IIIC T85°C Db → ATEX Certificate FTZÚ 22 ATEX 0107X
- BERGER-N-LED ATEX for Gas Zone 2/Dust 22 Ex II 3G Ex nR IIC T6...T5 Gc Ex II 3D Ex tc IIIC T85°C Dc → ATEX Certificate FTZÚ 22 ATEX 0108X
- Optics with high efficiency of up to 161 lm/W
- Housing made of robust aluminum with clear safety glass → IK10-rated, resistant to mechanical stress (protection against impacts with an impact energy of up to 20 joules)
- Mounting via 4 stainless steel M5 ring screws for suspended installation (standard) or via adjustable mounting brackets (not included) → Easy installation
- Protection class 1, IP 66, 2 PE+E → staubdicht und strahlwassergeschützt
- Ambient temperature: -20°C ≤ Ta ≤ see chart → suitable for use even in large temperature variations

- Further models on request / subject to change and error -

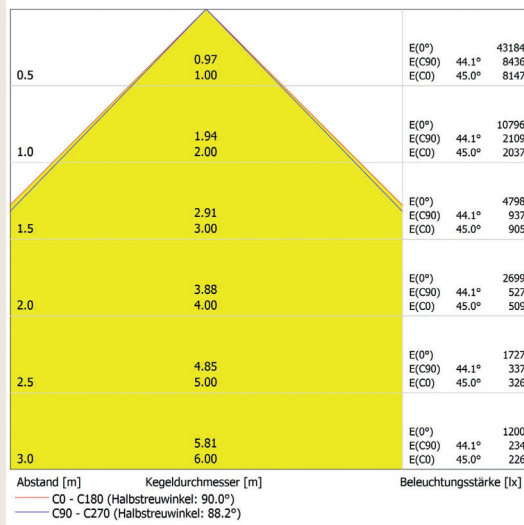
# Ex-LED-Flutlichtstrahler BERGER-N-LED - Zone 2, 21, 22



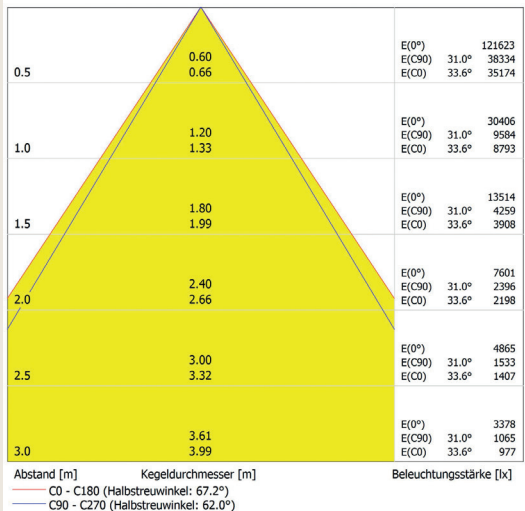
## LIGHT EMISSION BERGER-N-080803:



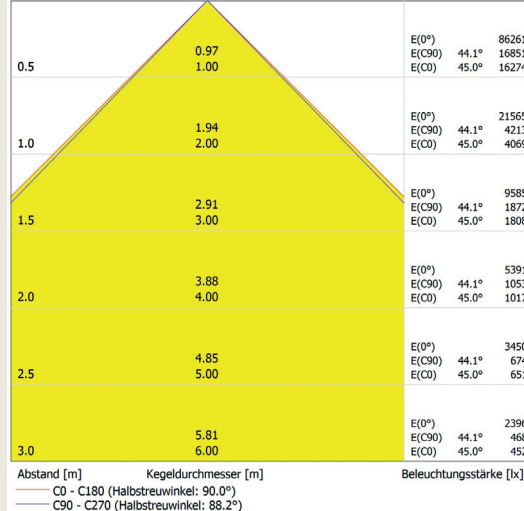
## LIGHT EMISSION BERGER-N-080804:



## LIGHT EMISSION BERGER-N-080809:

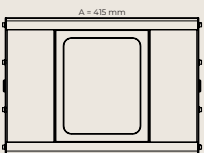


## LIGHT EMISSION BERGER-N-080810:

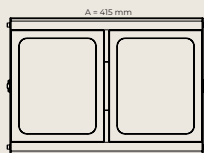


## DIMENSIONS:

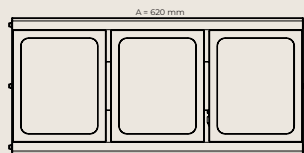
### 1 Module



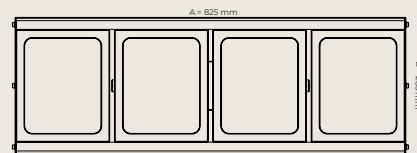
### 2 Modules



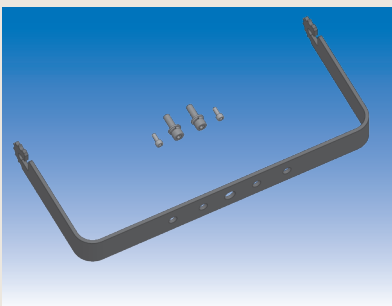
### 3 Modules



### 4 Modules



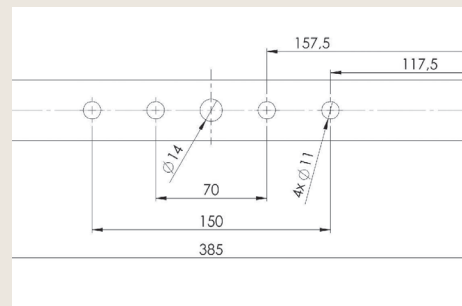
## ACCESSORIES:



### Mounting bracket for BERGER-N-LED

- Wall mount: adjustable boom
- Flange hole 11 mm
- Hole spacing 70 mm and 150 mm
- Mounting bracket for ceiling and wall mounting
- including fastening screws
- Dimensions 385x38x179 mm

### EXV055



– Further models on request / subject to change and error –