

ALFLED DS

ELSPRO LED-Wire Rope Lamp



VERSION:

Voltage	Power	Lumen	Orientation	Dimensions in mm (D x W x H)	Weight	Illuminant	Order no.
220 - 240 V AC 50 / 60 Hz	52 W	6,500	0°	843 x 160 x 300	6.50 kg	LED panel	7S235260
			90°	500 x 843 x 300	6.50 kg		7S23526090
	104 W	12,810	0°	843 x 330 x 300	8.80 kg		7S2310460
			90°	500 x 843 x 300	8.80 kg		7S231046090

SPECIAL FEATURES:

- Colour temperature: 5,000 Kelvin → Daylight white
- LED boards under plastic lenses with an angle of emission of 60°. → Focused light
- IP 67 → Dust- and waterproof
- Suspension system made of stainless steel V2A → Weatherproof
- Rope support with 2-fold clamp and additional fall protection including carabineer hook → Hang in, clamp, secure, secure, done
- The inclination of the lighting unit on the suspension rail can be adjusted by +/- 15° → Compensation of the lowering of the wire rope possible
- Tilting of the ALFLED on the mounting bracket possible by +/- 45° → Optimal alignment of the light beam
- Cable entry and exit (M25) on the left and right side of the connection box with cable diameter of 13-18 mm → Connection box easy to install outside the lamp
- Connection of ALFLED and junction box using angled connectors → Individual lamps can be disconnected without interrupting the power supply to other lamps in the series



Model turned 90° to the right



Alignment of the lamp at the mounting brackets and also possible on the suspension rail

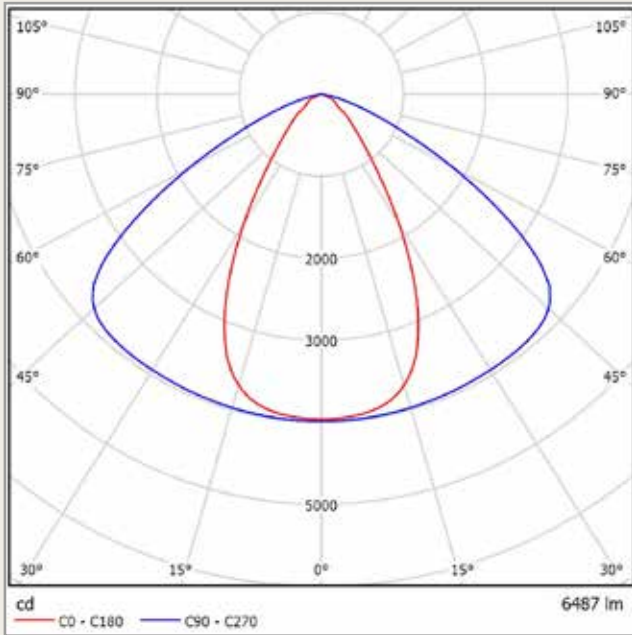
– Other versions on request / Subject to alterations and errors –

ALFLED DS

ELSPRO LED-Wire Rope Lamp



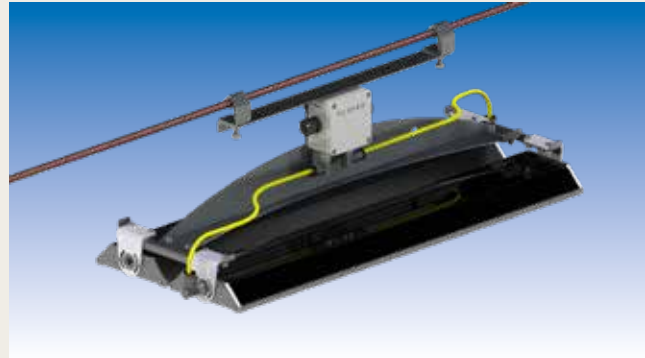
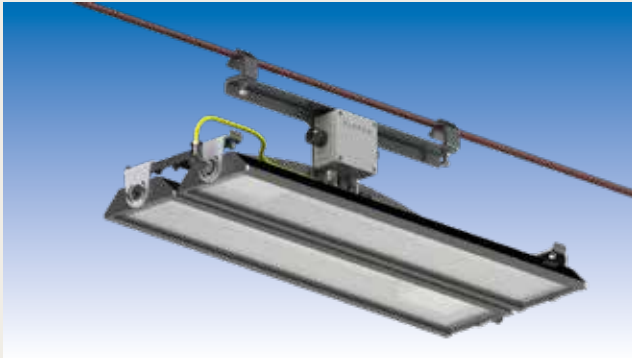
PHOTOMETRIC DATA 1-FLAME



Distance (m)	Beam diameter (m)	Illuminance (lx)	E(0°)	E(C90)	E(C0)
1.0	3.45 1.15		3963	59.9° 255	29.9° 1298
2.0	6.90 2.30		991	59.9° 63	29.9° 329
3.0	10.35 3.45		440	59.9° 28	29.9° 144
4.0	13.80 4.60		248	59.9° 16	29.9° 81
5.0	17.25 5.75		199	59.9° 10	29.9° 52
6.0	20.70 6.90		110	59.9° 7	29.9° 35

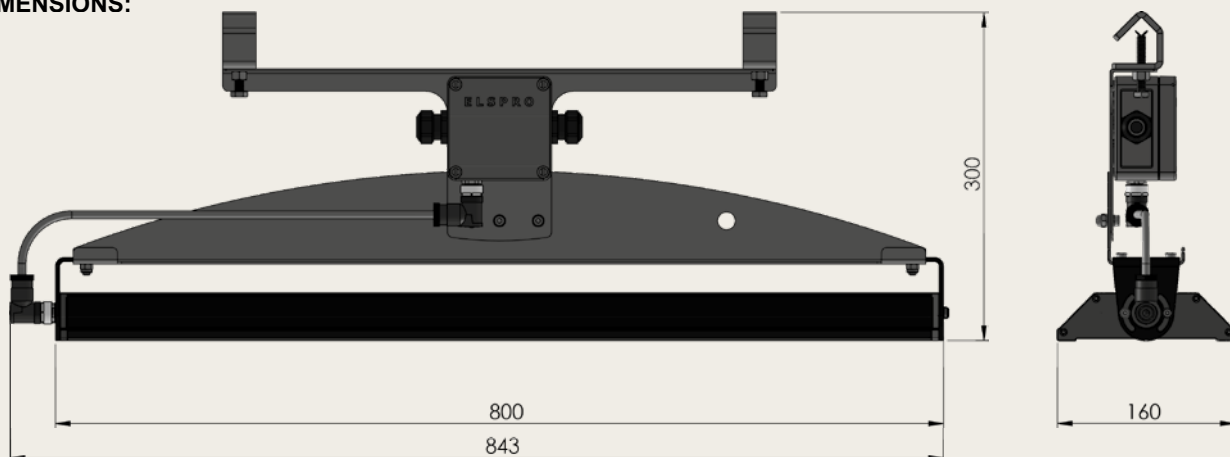
Distance (m) Beam diameter (m) Illuminance (lx)
 — C0 - C180 (Half-beam divergence: 59.9°) —
 — C90 - C270 (Half-beam divergence: 29.9°) —

VARIANT 2-FLAME



The ALFLED LED wire rope lamp is also available as a 2-flame version with 104 watt output. This variant can also be ordered offset by 90°.

DIMENSIONS:



– Other versions on request / Subject to alterations and errors –