

CONFIGURATIONS:

Voltage	Power	Luminous flux	Colour temperature	Dimensions (H x Ø)	Weight	Order no.
100 - 240 V AC 50 / 60 Hz	max. 80 W	13.600 170 lm / W	5.000 K	233 x 380 mm	6,8 kg	ESJHT080110

SPECIAL FEATURES:

- Highly efficient Samsung LEDs with 168 light points evenly distributed over a large area and a beam angle of 110° create a homogeneous light image → Basis for the even illumination of surfaces
- LED lifespan L90B10 - 50,000 hours
- LED driver with overheating and overvoltage protection → Cost savings
- Ambient temperature: **-30°C bis +80°C** → Can also be used with large temperature fluctuations indoors and outdoors
- Protection class: **IP 66** → No dust ingress and protected against strong water jets
- The power supply and drivers are housed in an extra housing on the spotlight housing for easy installation → No negative interactions due to heating
- Die-cast aluminium housing **with special chromate powder coating** → Optimised reduction of dust deposits on the surface
- High number of cooling fins → Excellent heat management - prerequisite for the long service life of the LEDs of up to 50,000 hours - **COST SAVINGS**
- Low weight of only 6.8 kg (aluminium housing) and the sturdy mounting bracket including eye screw enable easy and safe ceiling or wall mounting. → protection - security
- The connection is made via a flexible cable with stripped ends
- Power factor > 0,9
- Colour rendering index CRI > 80
- Protection class 1
- Shock resistance IK 08



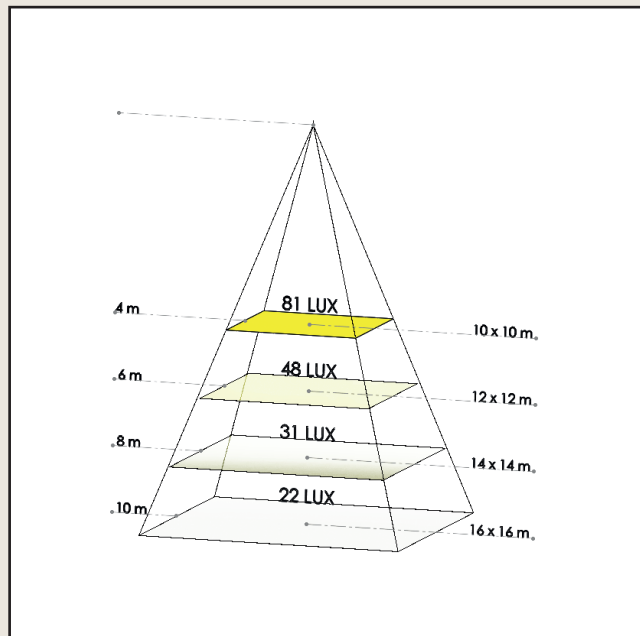
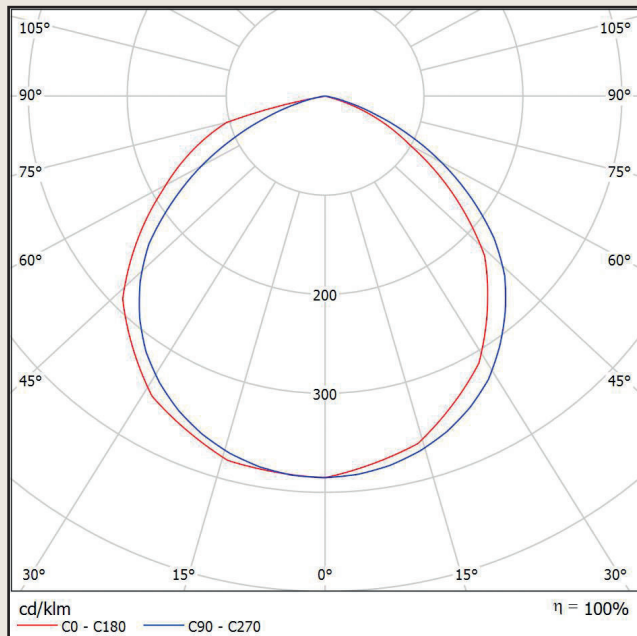
– additional versions upon request / all rights reserved –

LED floodlight SPACEJET HT 80 110°



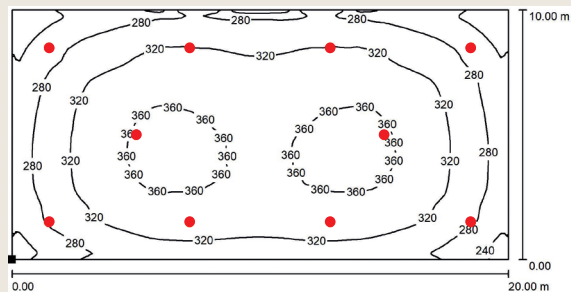
IP66 CE

Light emission:

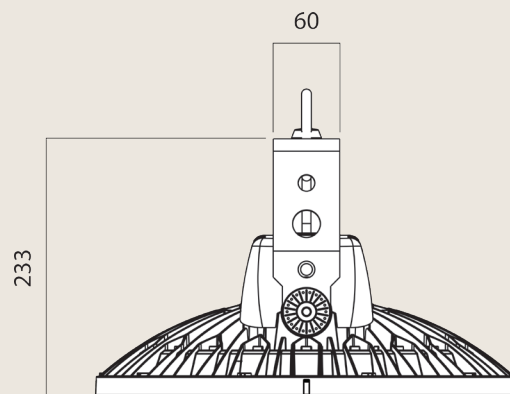
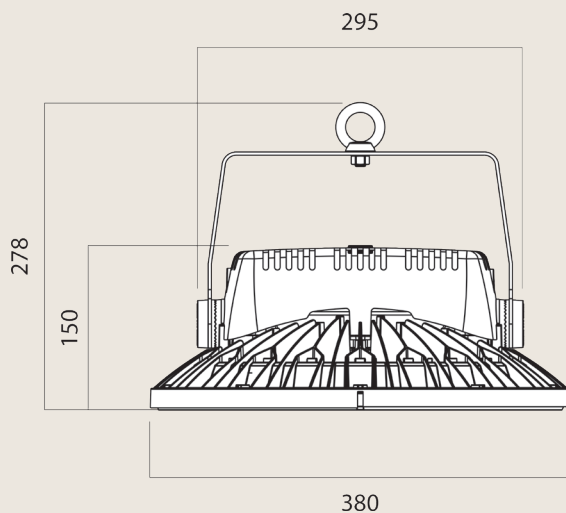


Please note: The lux values shown are average values of the specified area without taking into account the reflection from walls, ceilings and floors. The real values may be higher.

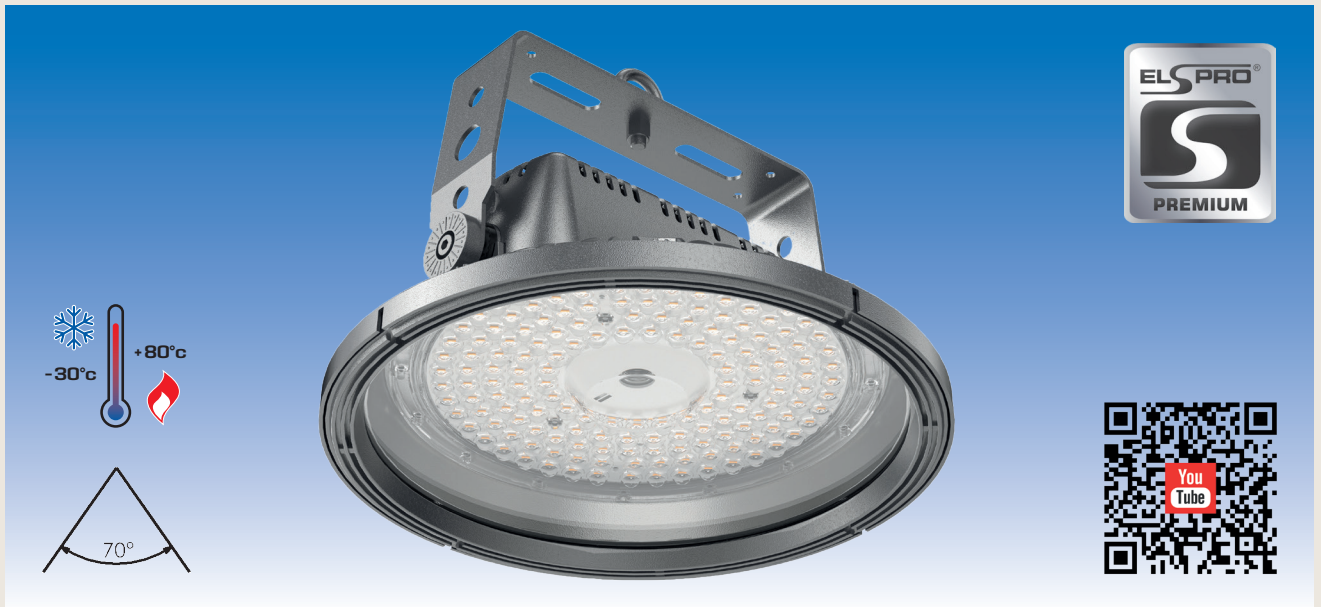
Application example 10 SPACEJET 80 110°:



Room height: 8,00 m
 Mounting height: 8,00 m
 Maintenance factor: 0,80
 Usage level: 0,85 m
 E_m : 317,00 Lux
 g_1 : 0,62



– additional versions upon request / all rights reserved –



CONFIGURATIONS:

Voltage	Power	Luminous flux	Colour temperature	Dimensions (H x Ø)	Weight	Order no.
100 - 240 V AC 50 / 60 Hz	max. 80 W	12.800 160 lm / W	5.000 K	233 x 380 mm	6,8 kg	ESJHT080070

SPECIAL FEATURES:

- Highly efficient Samsung LEDs with 160 light points evenly distributed over a large area and a beam angle of 70° create a homogeneous light image
 - Basis for the even illumination of surfaces
- LED lifespan L90B10 - 50,000 hours
- LED driver with overheating and overvoltage protection
 - Cost savings
- Ambient temperature: **-30°C bis +80°C**
 - Can also be used with large temperature fluctuations indoors and outdoors
- Protection class: **IP 66**
 - No dust ingress and protected against strong water jets
 - No negative interactions due to heating
- The power supply and drivers are housed in an extra housing on the spotlight housing for easy installation
 - Optimised reduction of dust deposits on the surface
- Die-cast aluminium housing **with special chromate powder coating**
 - Excellent heat management - prerequisite for the long service life of the LEDs of up to 50,000 hours - **COST SAVINGS**
- High number of cooling fins
 - protection - security
- Low weight of only 6.8 kg (aluminium housing) and the sturdy mounting bracket including eye screw enable easy and safe ceiling or wall mounting.
- The connection is made via a flexible cable with stripped ends
- Power factor > 0,9
- Colour rendering index CRI > 80
- Protection class 1
- Shock resistance IK 08

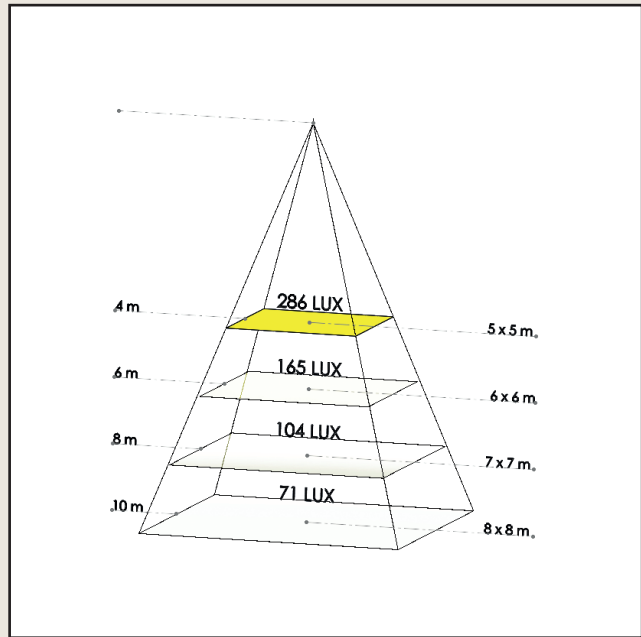
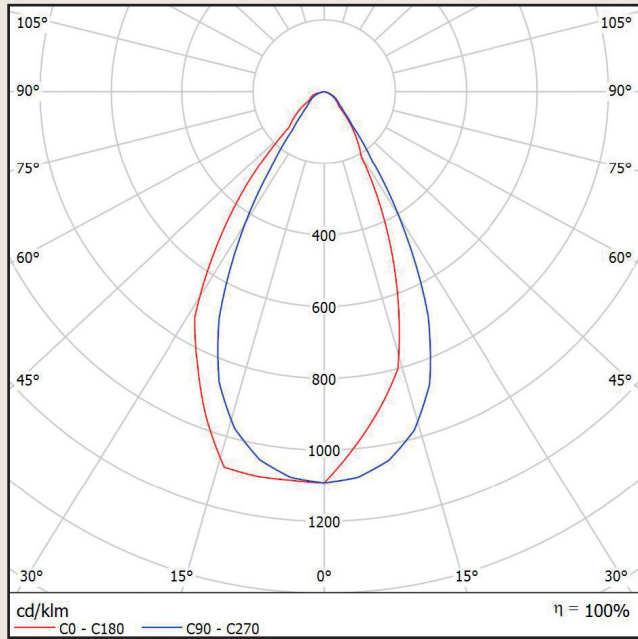


– additional versions upon request / all rights reserved –

LED floodlight SPACEJET HT 80 70°

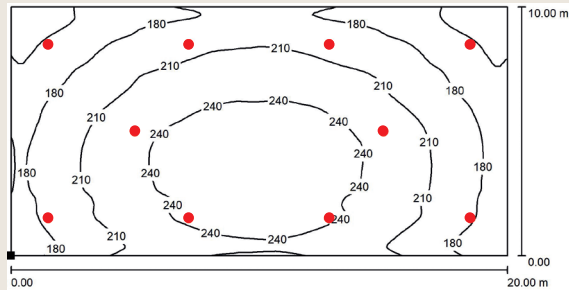


Light emission:

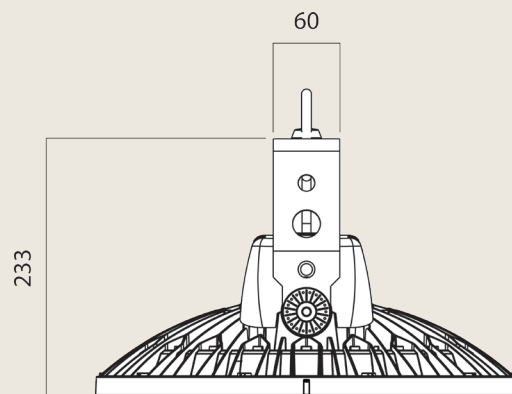
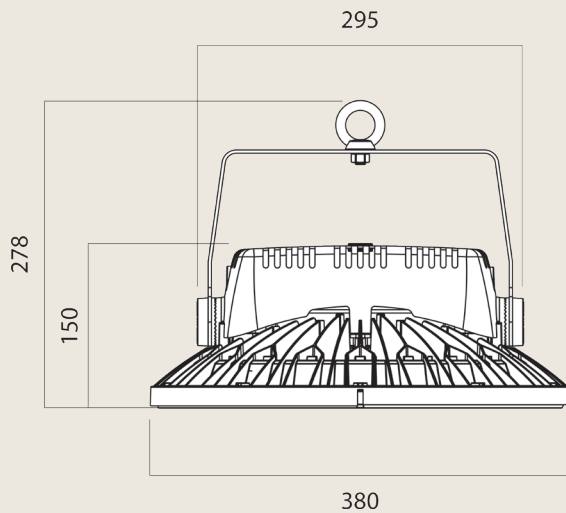


Please note: The lux values shown are average values of the specified area without taking into account the reflection from walls, ceilings and floors. The real values may be higher.

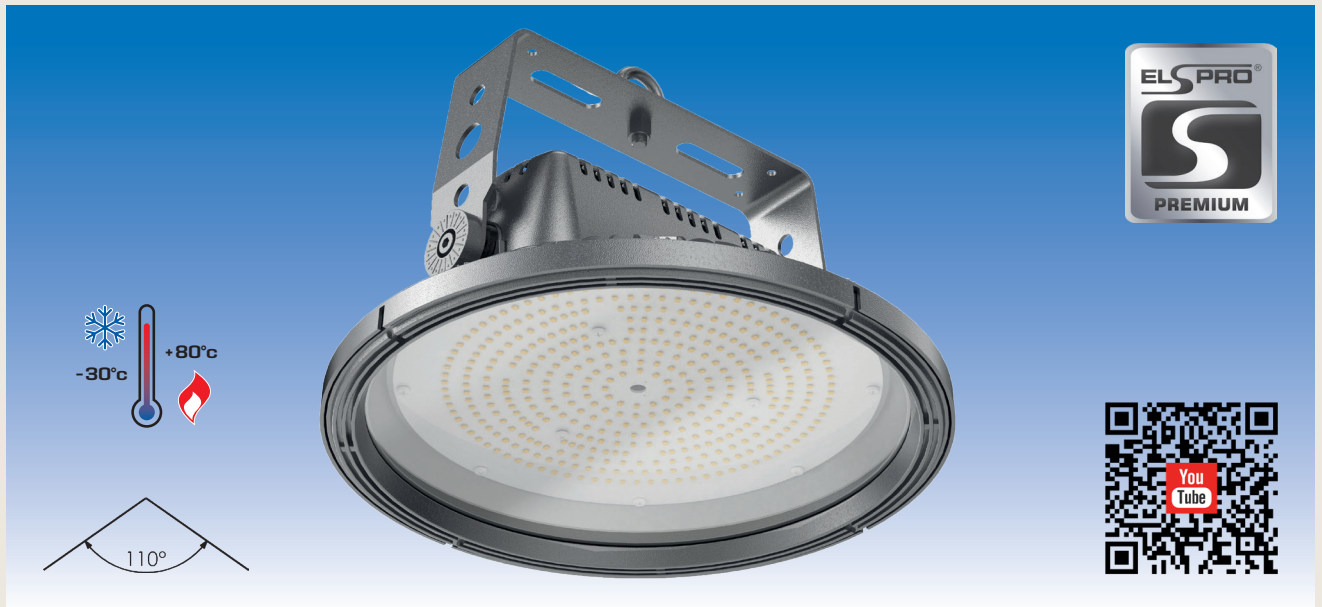
Application example 10 SPACEJET 80 70°:



Room height:	18,00 m
Mounting height:	18,00 m
Maintenance factor:	0,80
Usage level:	0,85 m
E_m :	208,00 Lux
g_1 :	0,59



– additional versions upon request / all rights reserved –



CONFIGURATIONS:

Voltage	Power	Luminous flux	Colour temperature	Dimensions (H x Ø)	Weight	Order no.
100 - 240 V AC 50 / 60 Hz	120 W	19.800 165 lm / W	5.000 K	233 x 380 mm (Including bracket)	6,3 kg	ESJDHT120110

SPECIAL FEATURES:

- Highly efficient Samsung LEDs with 243 light points evenly distributed over a large area and a beam angle of 110° create a homogeneous light image → Basis for the even illumination of surfaces
- LED lifespan L90B10 - 50,000 hours**
- LED driver with overheating and overvoltage protection → Cost savings
- Ambient temperature: **-30°C bis +80°C** → Can also be used with large temperature fluctuations indoors and outdoors
- Protection class: **IP 66** → dustproof and protected against strong water jets
- LED driver is housed in an extra housing on the spot-light housing for easy installation → No negative interactions due to heating
- Die-cast aluminium housing **with special chromate powder coating** → Optimised reduction of dust deposits on the surface
- High number of cooling fins → Excellent heat management - prerequisite for the long service life of the LEDs of up to 50,000 hours - **COST SAVINGS**
- The low weight of only 6,3 kg (aluminium housing) and strong mounting bracket including eye-bolts allows for easy and reliable ceiling or wall mounting An additional safety wires with karabiner hooks are included. → Double protection - double safety
- The connection is made via a flexible cable (80 cm) with stripped ends
- Power factor > 0,9
- Colour rendering index CRI ≥ 80
- Protection class 1
- Shock resistance IK 08
- with DALI control unit

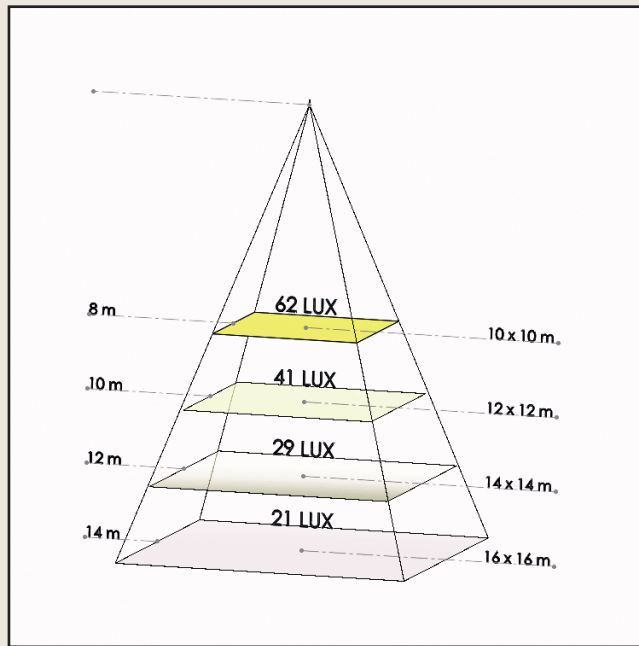
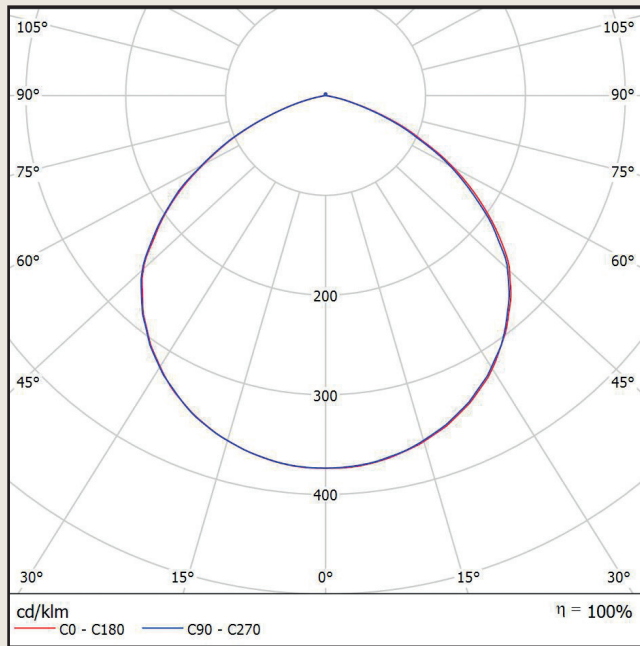


– additional versions upon request / all rights reserved –

LED floodlight with DALI control unit SPACEJET HT 120 110°

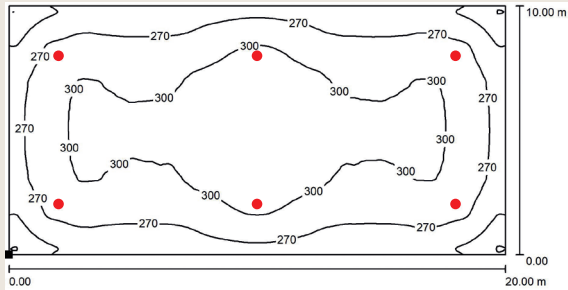


Light emission:

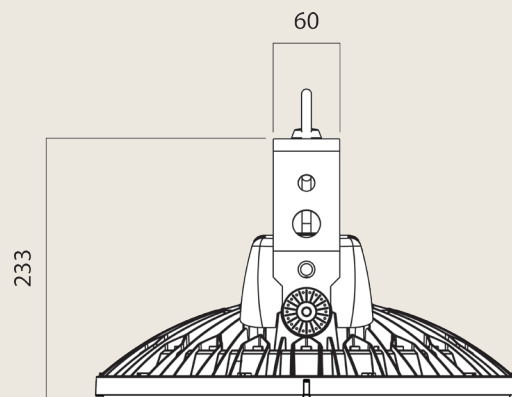
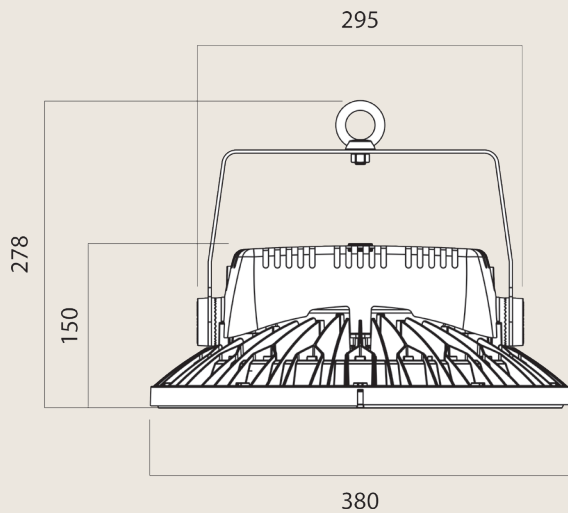


Please note: The lux values shown are average values of the specified area without taking into account the reflection from walls, ceilings and floors. The real values may be higher.

Application example 6 SPACEJET 120 110°:



Room height:	8,00 m
Mounting height:	8,00 m
Maintenance factor:	0,80
Usage level:	0,85 m
E_m :	284,00 Lux
g_1 :	0,71



– additional versions upon request / all rights reserved –



CONFIGURATIONS:

Voltage	Power	Luminous flux	Colour temperature	Dimensions (H x Ø)	Weight	Order no.
100 - 240 V AC 50 / 60 Hz	120 W	19.100 160 lm / W	5.000 K	233 x 380 mm (Including bracket)	6,4 kg	ESJDHT120070

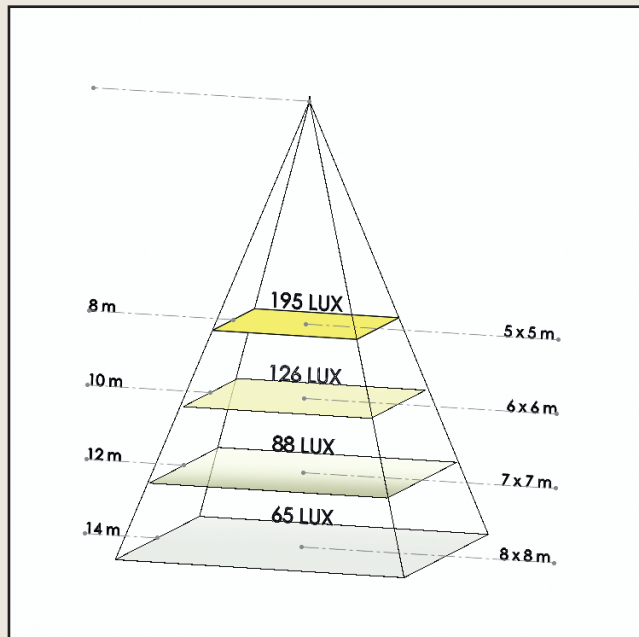
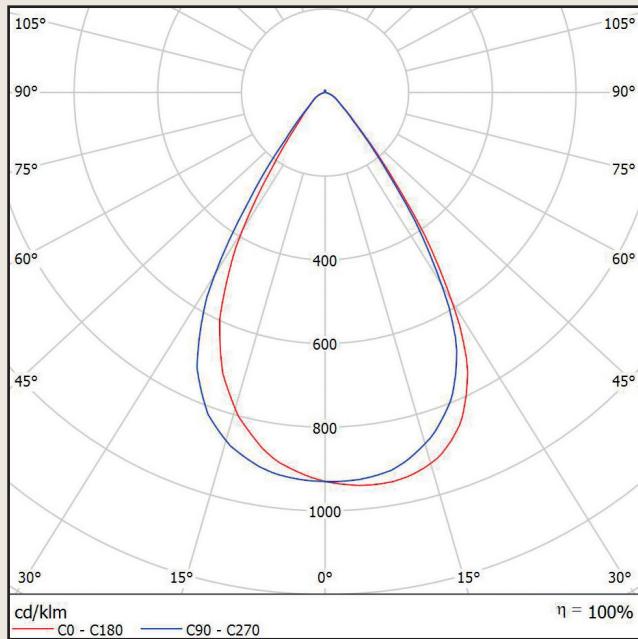
SPECIAL FEATURES:

- Highly efficient Samsung LEDs with 160 light points evenly distributed over a large area and a beam angle of 70° create a homogeneous light image → Basis for the even illumination of surfaces
- **LED lifespan L90B10 - 50,000 hours**
- LED driver with overheating and overvoltage protection → Cost savings
- Ambient temperature: **-30°C bis +80°C** → Can also be used with large temperature fluctuations indoors and outdoors
- Protection class: **IP 66** → dustproof and protected against strong water jets
- LED driver is housed in an extra housing on the spot-light housing for easy installation → No negative interactions due to heating
- Die-cast aluminium housing **with special chromate powder coating** → Optimised reduction of dust deposits on the surface
- High number of cooling fins → Excellent heat management - prerequisite for the long service life of the LEDs of up to 50,000 hours - **COST SAVINGS**
- The low weight of only 6,4 kg (aluminium housing) and strong mounting bracket including eye-bolts allows for easy and reliable ceiling or wall mounting An additional safety wires with karabiner hooks are included. → Double protection - double safety
- The connection is made via a flexible cable (80 cm) with stripped ends
- Power factor > 0,9
- Colour rendering index CRI ≥ 80
- Protection class 1
- Shock resistance IK 08
- with DALI control unit



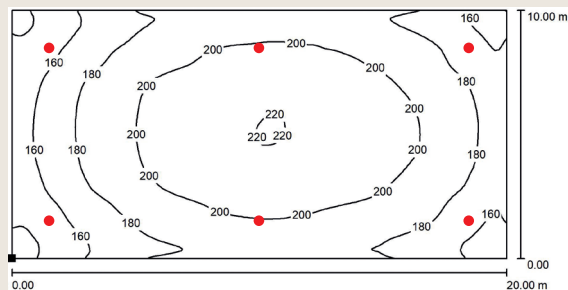
– additional versions upon request / all rights reserved –

Light emission:

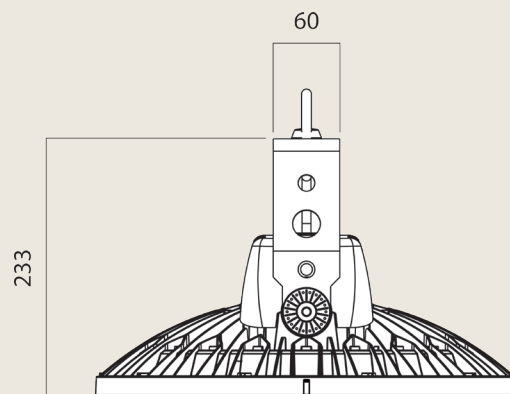
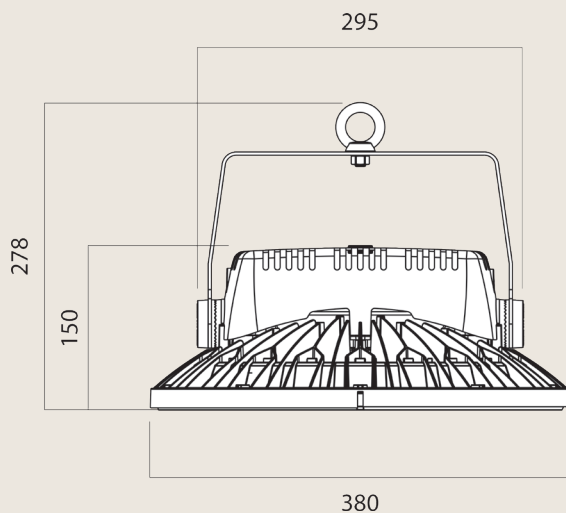


Please note: The lux values shown are average values of the specified area without taking into account the reflection from walls, ceilings and floors. The real values may be higher.

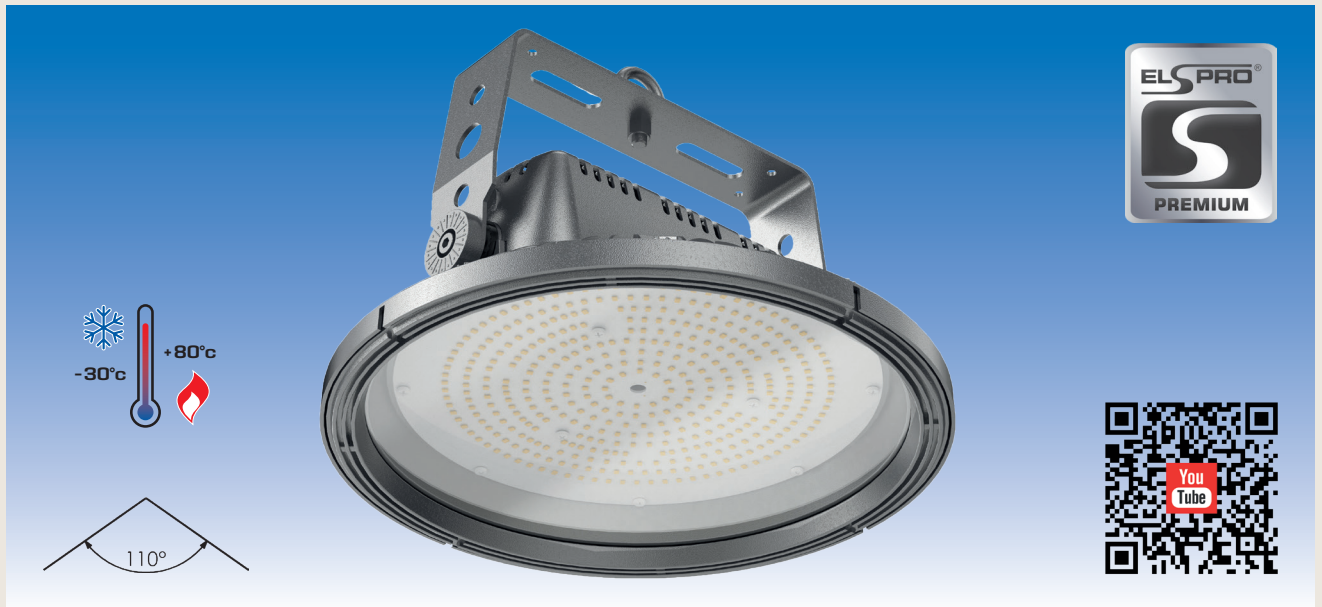
Application example 6 SPACEJET 120 70°:



Room height:	18,00 m
Mounting height:	18,00 m
Maintenance factor:	0,80
Usage level:	0,85 m
E_m :	188,00 Lux
g_1 :	0,70



– additional versions upon request / all rights reserved –



CONFIGURATIONS:

Voltage	Power	Luminous flux	Colour temperature	Dimensions (H x Ø)	Weight	Order no.
100 - 240 V AC 50 / 60 Hz	200 W	34.100 170 lm / W	5.000 K	233 x 380 mm (Including bracket)	6,3 kg	ESJDHT200110

SPECIAL FEATURES:

- Highly efficient Samsung LEDs with 386 light points evenly distributed over a large area and a beam angle of 110° create a homogeneous light image
 - Basis for the even illumination of surfaces
- **LED lifespan L90B10 - 50,000 hours**
- LED driver with overheating and overvoltage protection
 - Cost savings
- Ambient temperature: **-30°C bis +80°C**
 - Can also be used with large temperature fluctuations indoors and outdoors
- Protection class: **IP 66**
 - dustproof and protected against strong water jets
- LED driver is housed in an extra housing on the spot-light housing for easy installation
 - No negative interactions due to heating
- Die-cast aluminium housing **with special chromate powder coating**
 - Optimised reduction of dust deposits on the surface
- High number of cooling fins
 - Excellent heat management - prerequisite for the long service life of the LEDs of up to 50,000 hours - **COST SAVINGS**
- The low weight of only 6,3 kg (aluminium housing) and strong mounting bracket including eye-bolts allows for easy and reliable ceiling or wall mounting. An additional safety wires with karabiner hooks are included.
 - Double protection - double safety
- The connection is made via a flexible cable (80 cm) with stripped ends
- Power factor > 0,9
- Colour rendering index CRI ≥ 80
- Protection class 1
- Shock resistance IK 08
- with DALI control unit

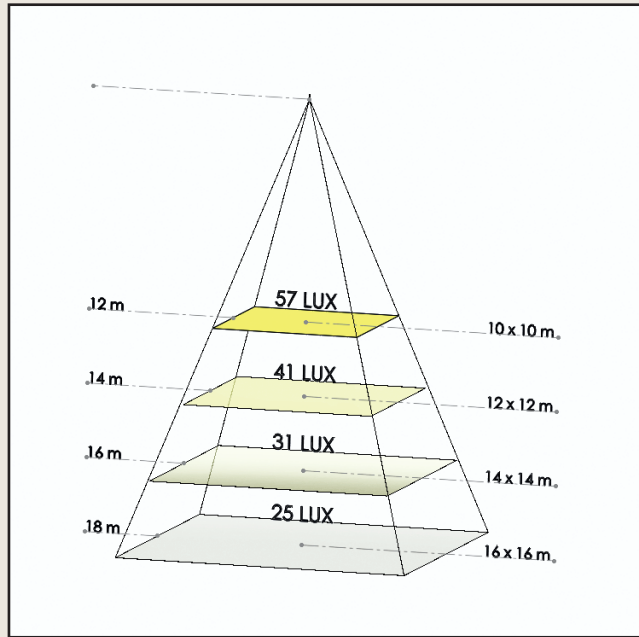
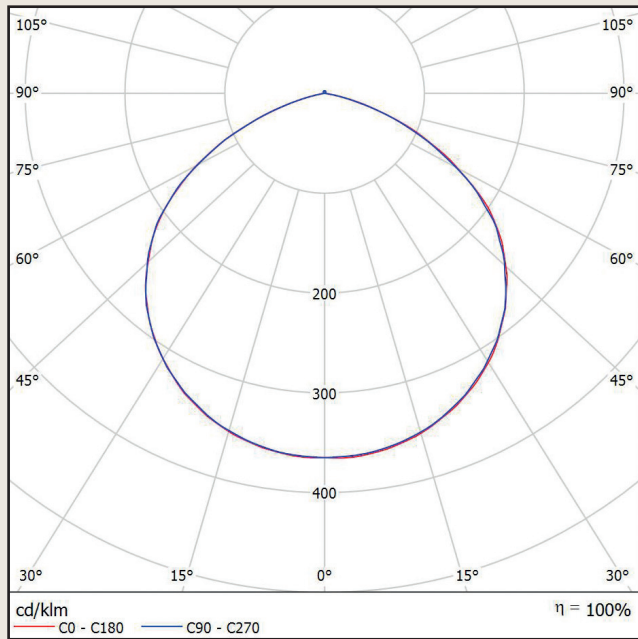


– additional versions upon request / all rights reserved –

LED floodlight with DALI control unit SPACEJET HT 200 110°

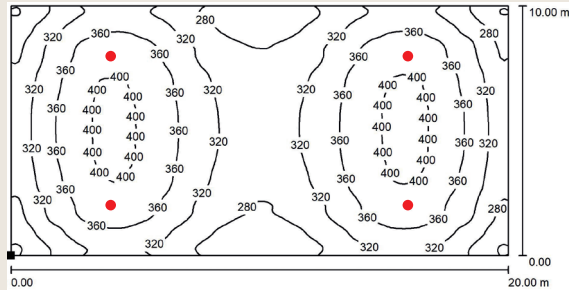


Light emission:

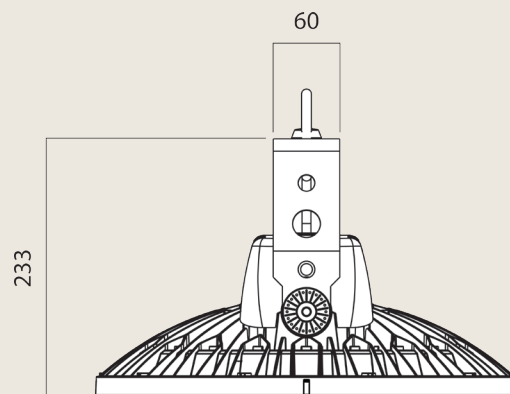
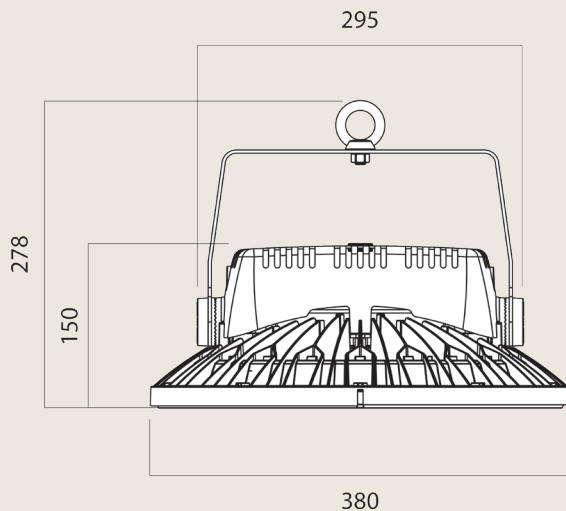


Please note: The lux values shown are average values of the specified area without taking into account the reflection from walls, ceilings and floors. The real values may be higher.

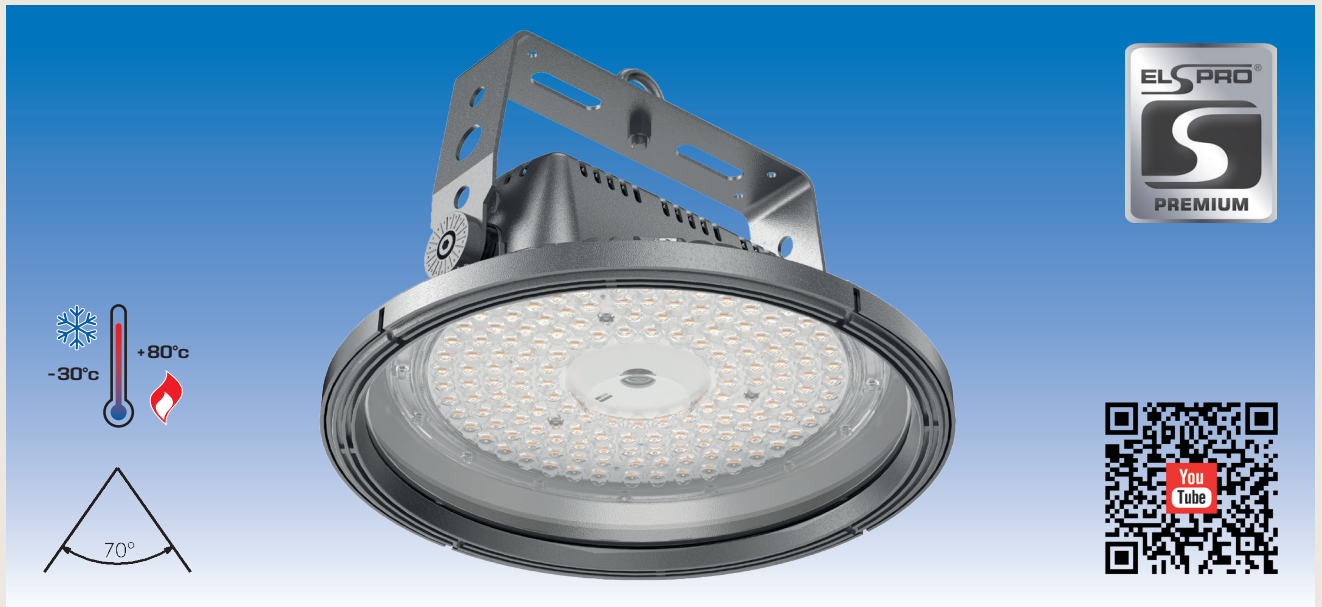
Application example 4 SPACEJET 200 110°:



Room height:	8,00 m
Mounting height:	8,00 m
Maintenance factor:	0,80
Usage level:	0,85 m
E_m :	335,00 Lux
g_1 :	0,68



– additional versions upon request / all rights reserved –



CONFIGURATIONS:

Voltage	Power	Luminous flux	Colour temperature	Dimensions (H x Ø)	Weight	Order no.
100 - 240 V AC 50 / 60 Hz	200 W	30.500 153 lm / W	5.000 K	233 x 380 mm (Including bracket)	6,5 kg	ESJDHT200070

SPECIAL FEATURES:

- Highly efficient Samsung LEDs with 160 light points evenly distributed over a large area and a beam angle of 70° create a homogeneous light image
 - Basis for the even illumination of surfaces
- **LED lifespan L90B10 - 50,000 hours**
- LED driver with overheating and overvoltage protection
 - Cost savings
- Ambient temperature: **-30°C bis +80°C**
 - Can also be used with large temperature fluctuations indoors and outdoors
- Protection class: **IP 66**
 - dustproof and protected against strong water jets
- LED driver is housed in an extra housing on the spot-light housing for easy installation
 - No negative interactions due to heating
- Die-cast aluminium housing **with special chromate powder coating**
 - Optimised reduction of dust deposits on the surface
- High number of cooling fins
 - Excellent heat management - prerequisite for the long service life of the LEDs of up to 50,000 hours - **COST SAVINGS**
- The low weight of only 6,5 kg (aluminium housing) and strong mounting bracket including eye-bolts allows for easy and reliable ceiling or wall mounting. An additional safety wires with karabiner hooks are included.
 - Double protection - double safety
- The connection is made via a flexible cable (80 cm) with stripped ends
- Power factor > 0,9
- Colour rendering index CRI ≥ 80
- Protection class 1
- Shock resistance IK 08
- with DALI control unit

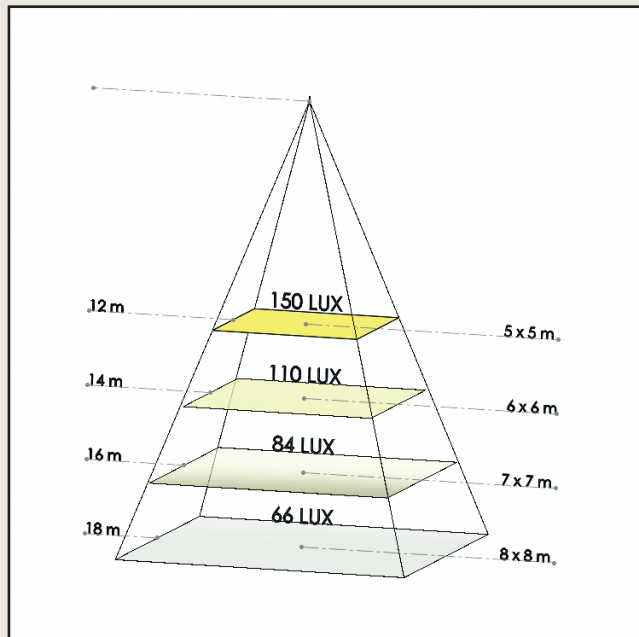
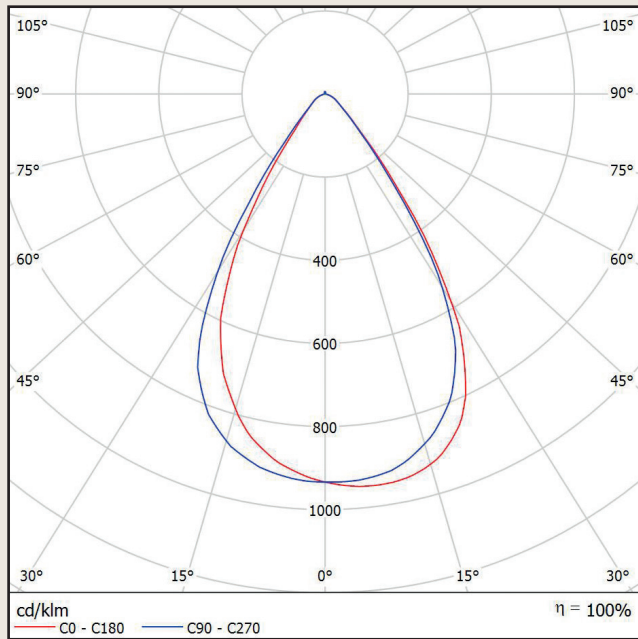


– additional versions upon request / all rights reserved –

LED floodlight with DALI control unit
SPACEJET HT 200 70°

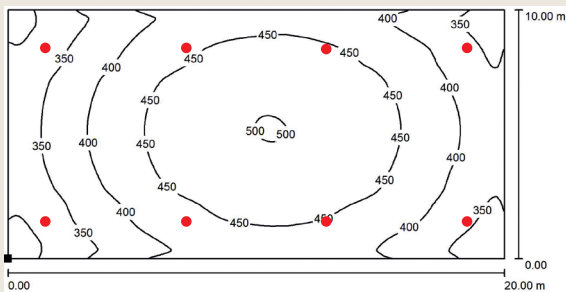


Light emission:

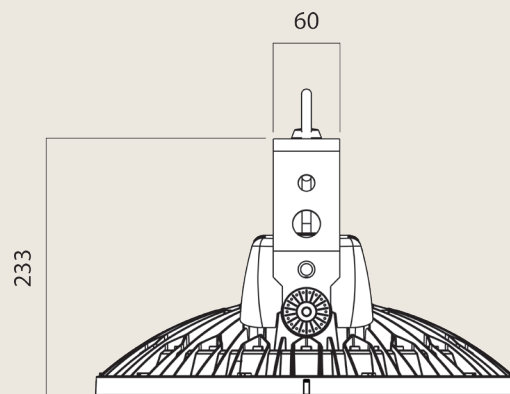
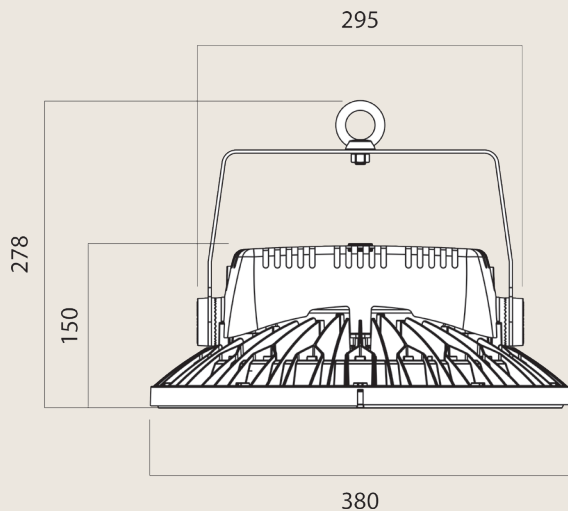


Please note: The lux values shown are average values of the specified area without taking into account the reflection from walls, ceilings and floors. The real values may be higher.

Application example 8 SPACEJET 200 70°:



Room height:	18,00 m
Mounting height:	18,00 m
Maintenance factor:	0,80
Usage level:	0,85 m
E_m :	416,00 Lux
g_1 :	0,65



– additional versions upon request / all rights reserved –



CONFIGURATIONS:

Voltage	Power	Luminous flux	Colour temperature	Dimensions (H x Ø)	Weight	Order no.
100 - 250 V AC / 130 - 250 V DC	280 W	48,700 174 lm / W	5,000 K	329 x 485 mm (incl. bracket)	13.5 kg	ESJDHT280110

SPECIAL FEATURES:

- Highly efficient Samsung LEDs with 900 light points evenly distributed over a large area and a beam angle of 110° create a homogeneous light image → Basis for the even illumination of surfaces
- **LED lifespan L90B10 - 50,000 hours**
- LED driver with overheating and overvoltage protection → Cost savings
- Ambient temperature: **-30°C to +80°C** → Can also be used with large temperature fluctuations indoors and outdoors
- Protection class: **IP 66** → dustproof and protected against strong water jets
- LED driver is housed in an extra housing on the spotlight housing for easy installation → No negative interactions due to heating
- Die-cast aluminium housing **with special chromate powder coating** → Optimised reduction of dust deposits on the surface and excellent protection against corrosion
- High number of cooling fins → Excellent heat management - prerequisite for the long service life of the LEDs of up to 50,000 hours - **COST SAVINGS**
- The low weight of only 13.5 kg (aluminium housing) and strong mounting bracket including eye-bolts allows for easy and reliable ceiling or wall mounting An additional safety wires with carabiner hooks are included. → Double protection - double safety
- The connection is made via a flexible cable (80 cm) with stripped ends
- Power factor > 0,9
- Colour rendering index CRI ≥ 80
- Protection class 1
- Shock resistance IK 08
- with DALI control unit

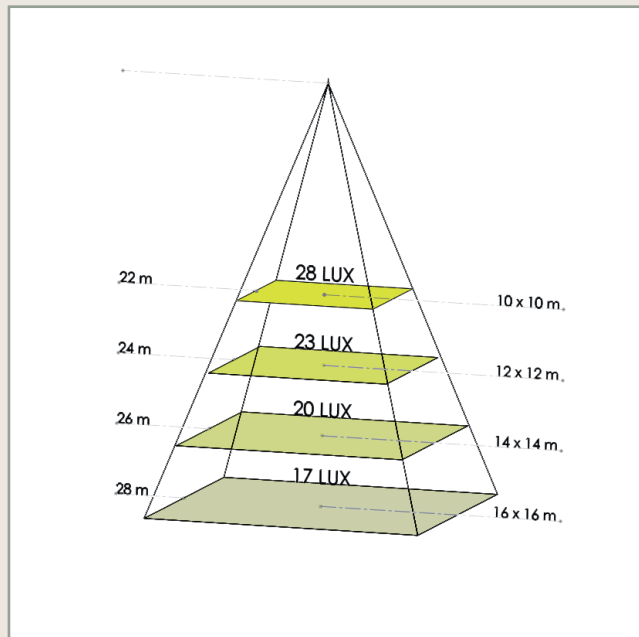
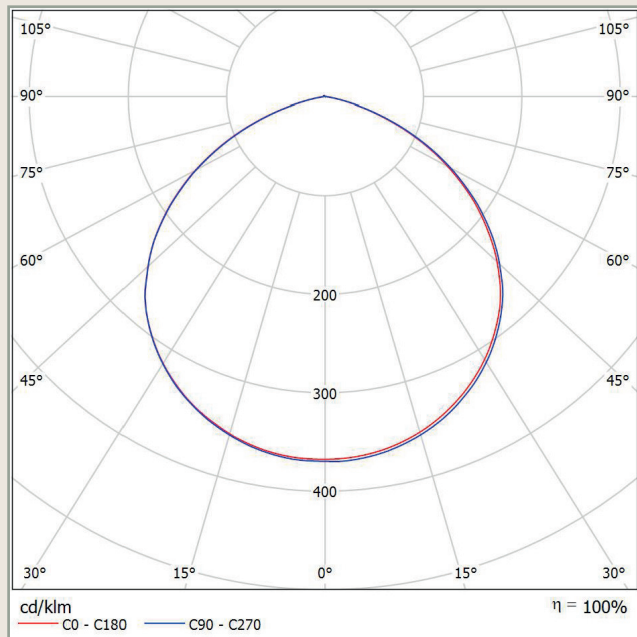


– additional versions upon request / all rights reserved –

LED floodlight with DALI control unit SPACEJET HT 280 110°

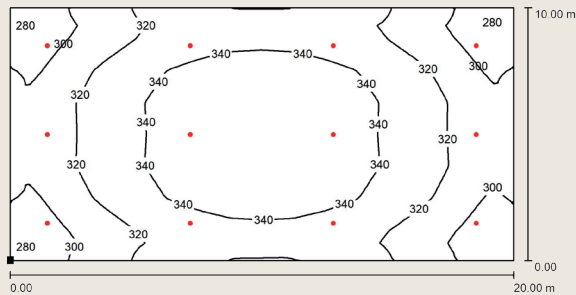


Light emission:

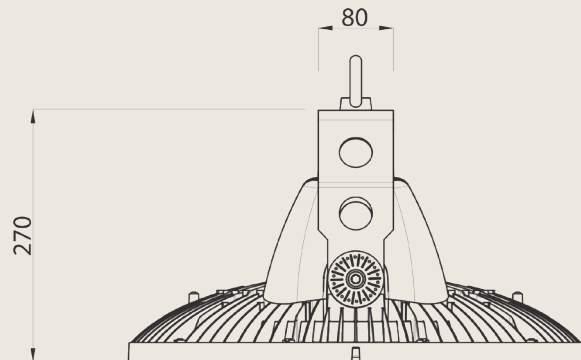
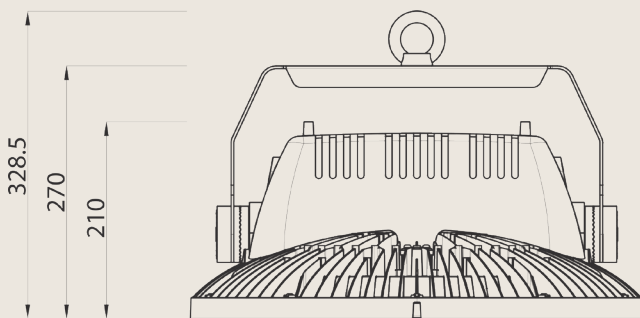


Please note: The lux values shown are average values of the specified area without taking into account the reflection from walls, ceilings and floors. The real values may be higher.

Application example 12 SPACEJET HT 280 110°:



Room height:	28.00 m
Mounting height:	28.00 m
Maintenance factor:	0.80
Usage level:	0.85 m
E_m :	326.00 Lux
g_1 :	0.85



– additional versions upon request / all rights reserved –



CONFIGURATIONS:

Voltage	Power	Luminous flux	Colour temperature	Dimensions (H x Ø)	Weight	Order no.
100 - 250 V AC / 130 - 250 V DC	300 W	49,400 165 lm / W	5,000 K	329 x 485 mm (incl. bracket)	13.7 kg	ESJDHT300070

SPECIAL FEATURES:

- Highly efficient Samsung LEDs with 288 light points evenly distributed over a large area and a beam angle of 70° create a homogeneous light image
 - **LED lifespan L90B10 - 50,000 hours**
 - LED driver with overheating and overvoltage protection
 - Ambient temperature: **-30°C to +80°C**
 - Protection class: **IP 66**
 - LED driver is housed in an extra housing on the spotlight housing for easy installation
 - Die-cast aluminium housing **with special chromate powder coating**
 - High number of cooling fins
 - The low weight of only 13.7 kg (aluminium housing) and strong mounting bracket including eye-bolts allows for easy and reliable ceiling or wall mounting. An additional safety wires with carabiner hooks are included.
 - The connection is made via a flexible cable (80 cm) with stripped ends
 - Power factor > 0,9
 - Colour rendering index CRI ≥ 80
 - Protection class 1
 - Shock resistance IK 08
 - with DALI control unit
- Basis for the focused illumination of areas from a great height
 - Cost savings
 - Can also be used with large temperature fluctuations indoors and outdoors
 - dustproof and protected against strong water jets
 - No negative interactions due to heating
 - Optimised reduction of dust deposits on the surface and excellent protection against corrosion
 - Excellent heat management - prerequisite for the long service life of the LEDs of up to 50,000 hours - **COST SAVINGS**
 - Double protection - double safety

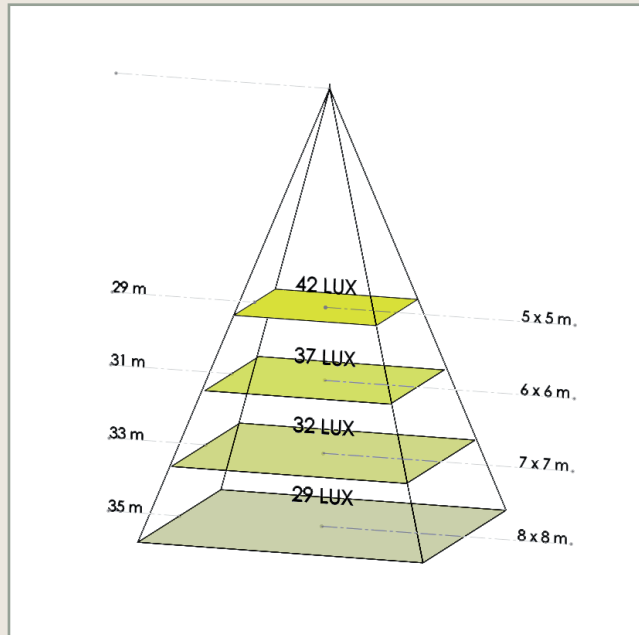
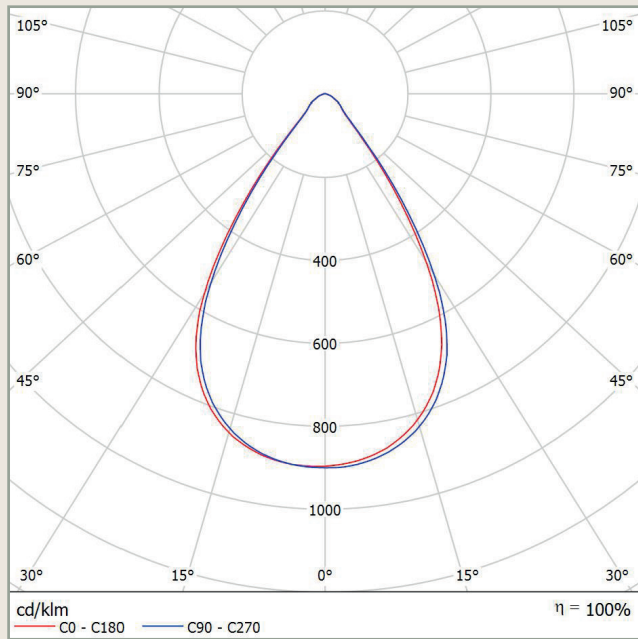


– additional versions upon request / all rights reserved –

LED floodlight with DALI control unit SPACEJET HT 300 70°

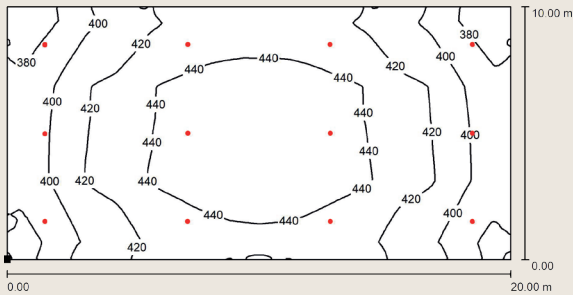


Light emission:

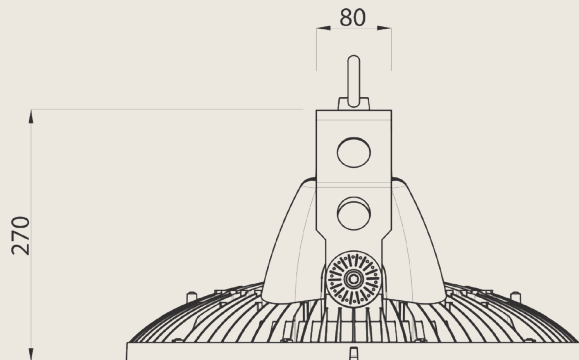
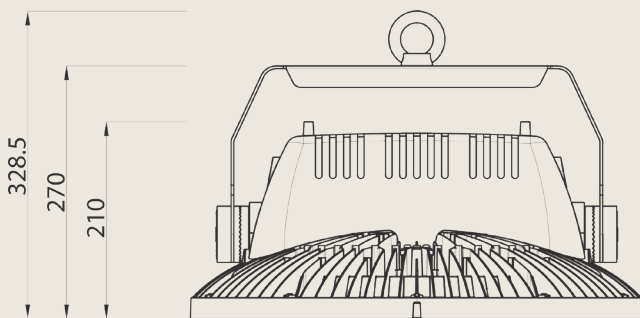


Please note: The lux values shown are average values of the specified area without taking into account the reflection from walls, ceilings and floors. The real values may be higher.

Application example 12 SPACEJET HT 300 70°:



Room height:	35.00 m
Mounting height:	35.00 m
Maintenance factor:	0.80
Usage level:	0.85 m
E_m :	421.00 Lux
g_1 :	0.86



– additional versions upon request / all rights reserved –



CONFIGURATIONS:

Voltage	Power	Luminous flux	Colour temperature	Dimensions (H x Ø)	Weight	Order no.
100 - 250 V AC / 130 - 250 V DC	360 W	60,400 168 lm / W	5,000 K	329 x 485 mm (incl. bracket)	13.5 kg	ESJDHT360110

SPECIAL FEATURES:

- Highly efficient Samsung LEDs with 900 light points evenly distributed over a large area and a beam angle of 110° create a homogeneous light image
 - Basis for the even illumination of surfaces
- LED lifespan L90B10 - 50,000 hours**
- LED driver with overheating and overvoltage protection
 - Cost savings
- Ambient temperature: **-30°C to +80°C**
 - Can also be used with large temperature fluctuations indoors and outdoors
- Protection class: **IP 66**
 - dustproof and protected against strong water jets
- LED driver is housed in an extra housing on the spotlight housing for easy installation
 - No negative interactions due to heating
- Die-cast aluminium housing **with special chromate powder coating**
 - Optimised reduction of dust deposits on the surface and excellent protection against corrosion
- High number of cooling fins
 - Excellent heat management - prerequisite for the long service life of the LEDs of up to 50,000 hours - COST SAVINGS
- The low weight of only 13.5 kg (aluminium housing) and strong mounting bracket including eye-bolts allows for easy and reliable ceiling or wall mounting. An additional safety wires with carabiner hooks are included.
 - Double protection - double safety
- The connection is made via a flexible cable (80 cm) with stripped ends
- Power factor > 0,9
- Colour rendering index CRI ≥ 80
- Protection class 1
- Shock resistance IK 08
- with DALI control unit

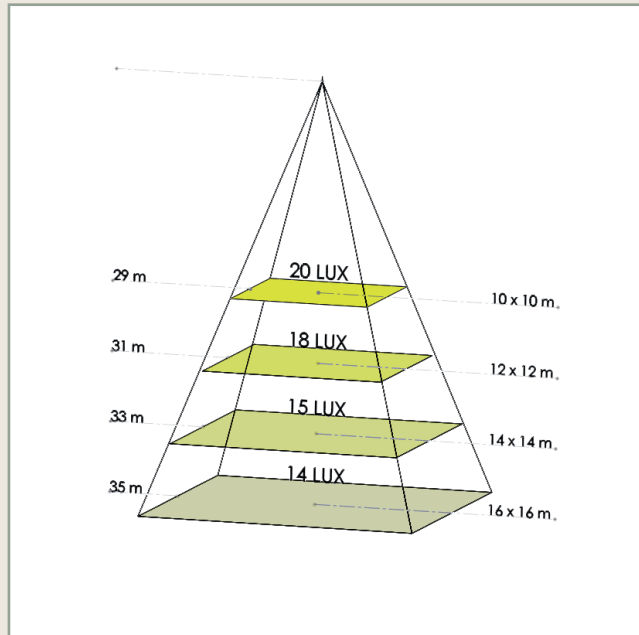
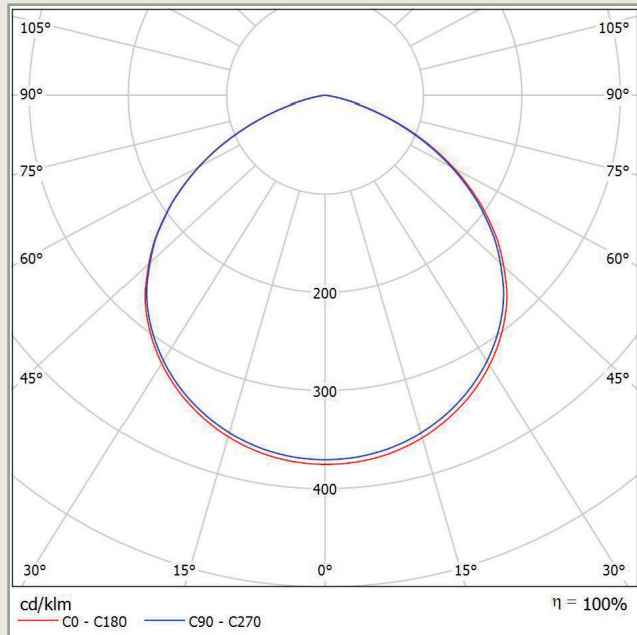


– additional versions upon request / all rights reserved –

LED floodlight with DALI control unit SPACEJET HT 360 110°

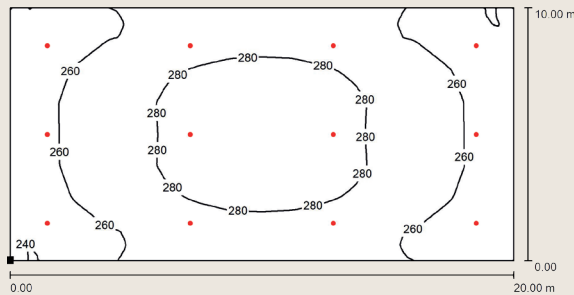


Light emission:

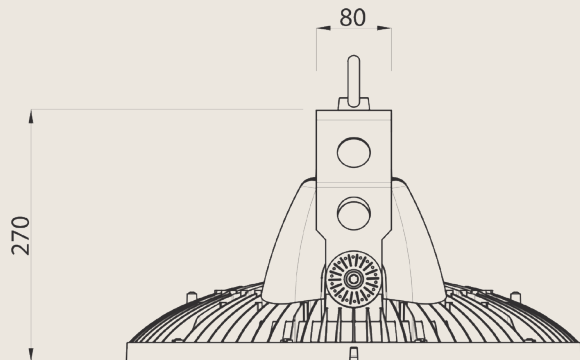
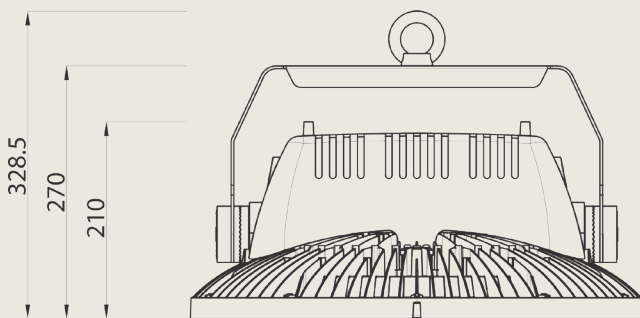


Please note: The lux values shown are average values of the specified area without taking into account the reflection from walls, ceilings and floors. The real values may be higher.

Application example 12 SPACEJET HT 360 110°:



Room height:	35.00 m
Mounting height:	35.00 m
Maintenance factor:	0.80
Usage level:	0.85 m
E_m :	269.00 Lux
g_1 :	0.87



– additional versions upon request / all rights reserved –



CONFIGURATIONS:

Voltage	Power	Luminous flux	Colour temperature	Dimensions (H x Ø)	Weight	Order no.
100 - 250 V AC / 130 - 250 V DC	380 W	60,200 158 lm / W	5,000 K	329 x 485 mm (incl. bracket)	13.7 kg	ESJDHT380070

SPECIAL FEATURES:

- Highly efficient Samsung LEDs with 288 light points evenly distributed over a large area and a beam angle of 70° create a homogeneous light image
 - **LED lifespan L90B10 - 50,000 hours**
 - LED driver with overheating and overvoltage protection
 - Ambient temperature: **-30°C to +80°C**
 - Protection class: **IP 66**
 - LED driver is housed in an extra housing on the spotlight housing for easy installation
 - Die-cast aluminium housing **with special chromate powder coating**
 - High number of cooling fins
 - The low weight of only 13.7 kg (aluminium housing) and strong mounting bracket including eye-bolts allows for easy and reliable ceiling or wall mounting. An additional safety wires with carabiner hooks are included.
 - The connection is made via a flexible cable (80 cm) with stripped ends
 - Power factor > 0,9
 - Colour rendering index CRI ≥ 80
 - Protection class 1
 - Shock resistance IK 08
 - with DALI control unit
- Basis for the focused illumination of areas from a great height
 - Cost savings
 - Can also be used with large temperature fluctuations indoors and outdoors
 - dustproof and protected against strong water jets
 - No negative interactions due to heating
 - Optimised reduction of dust deposits on the surface and excellent protection against corrosion
 - Excellent heat management - prerequisite for the long service life of the LEDs of up to 50,000 hours - **COST SAVINGS**
 - Double protection - double safety

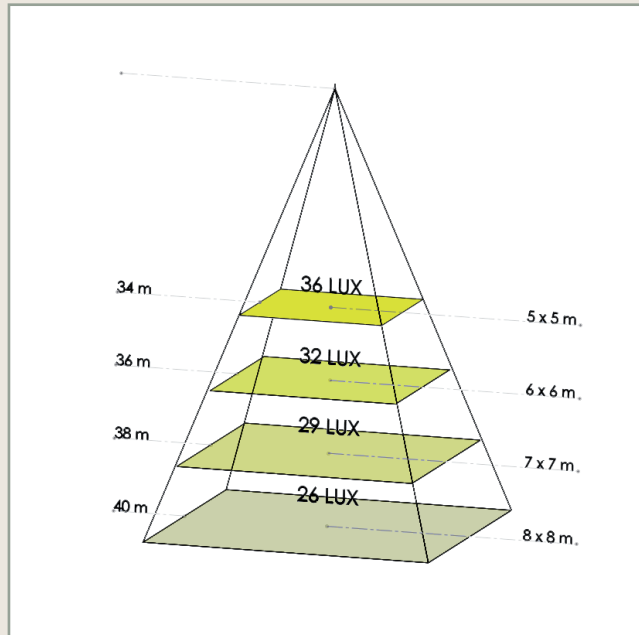
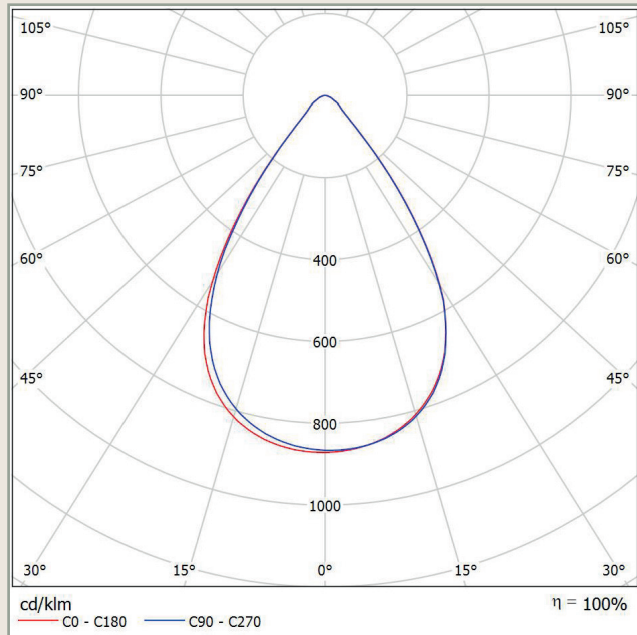


– additional versions upon request / all rights reserved –

LED floodlight with DALI control unit SPACEJET HT 380 70°

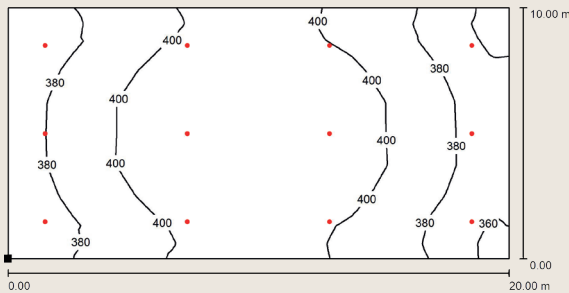


Light emission:

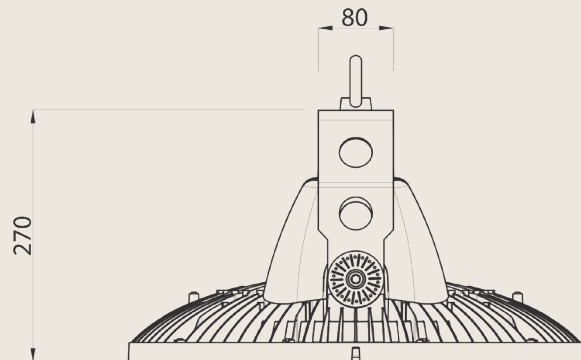
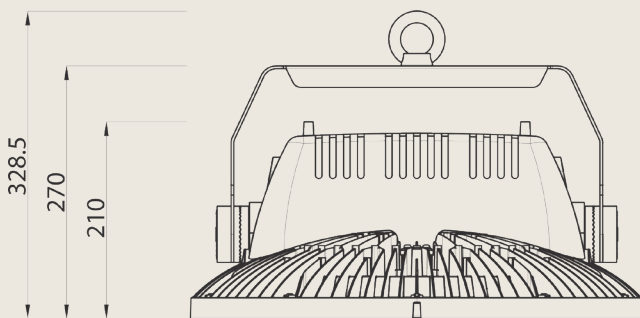


Please note: The lux values shown are average values of the specified area without taking into account the reflection from walls, ceilings and floors. The real values may be higher.

Application example 12 SPACEJET HT 380 70°:



Room height:	40.00 m
Mounting height:	40.00 m
Maintenance factor:	0.80
Usage level:	0.85 m
E_m :	393.00 Lux
g_1 :	0.90



– additional versions upon request / all rights reserved –