

LED Surface Light BOXER-LED



MODELS:

Voltage	Power	Luminous flux	T _a max	Dimensions	Weight	Order no.
230 V AC	8 W	1,123 lm	≤+55°C	421 184 283 x 56 mm	2.8 kg	BOXER-053495
	11 W	1,413 lm				BOXER-053489
	18 W	2,393 lm	≤+60°C	701 184 283 x 56 mm	4.7 kg	BOXER-053494
	22 W	2,826 lm				BOXER-053491
	36 W	4,786 lm	≤+55°C	1,257 184 283 x 56 mm	7.0 kg	BOXER-053497
	41 W	5,368 lm				BOXER-053487
	48 W	6,350 lm	≤+45°C	1,519 184 283 x 56 mm	9.0 kg	BOXER-053499
	51 W	6,710 lm				BOXER-053485

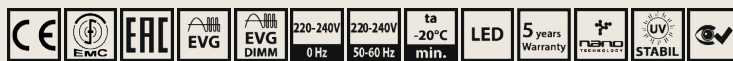
- Models with emergency power or dimming function on request -

SPECIAL FEATURES:

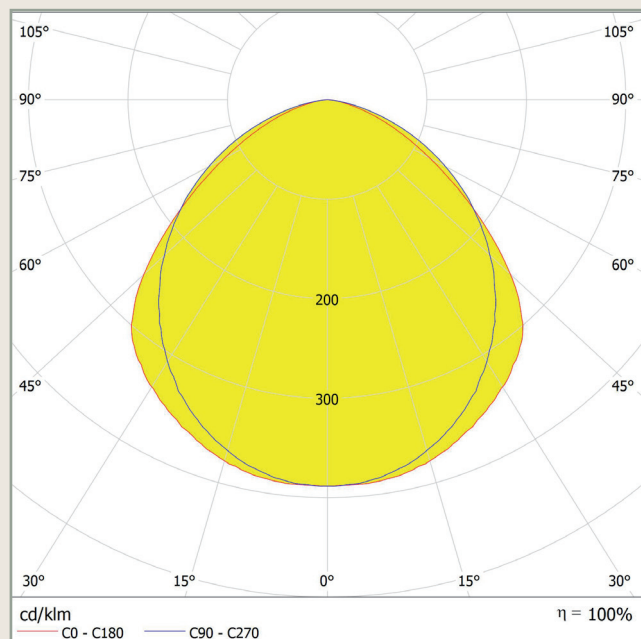
- High-power LED with up to 140 lm/W.
- Light colour 4,000 K.
- CRI +80
- Power factor 0.98
- Lifetime L80B10 TA30 - up to 70,000 hours
- White sheet steel housing and polycarbonate cover combined with white sheet steel
- Direct mounting to the ceiling or wall
- 2 x cable mounting screws
- Protection class I.
- IP 65
- Ambient temperature: -20°C ≤ T_a ≤ see table
- High light output
- Neutral white (2,700 K - 6,500 K on request)
- High colour rendering index
- Proven longevity
- IK10+, resistant to mechanical stress (impact protection up to impact energy of 40 joules, models up to 50 joules on request)
- Easy installation on the ceiling or wall of the room to be illuminated
- Prepared for continuous assembly
- Dust and splash protection
- Use at elevated ambient temperatures and large temperature fluctuations

- Further models on request / subject to change and error -

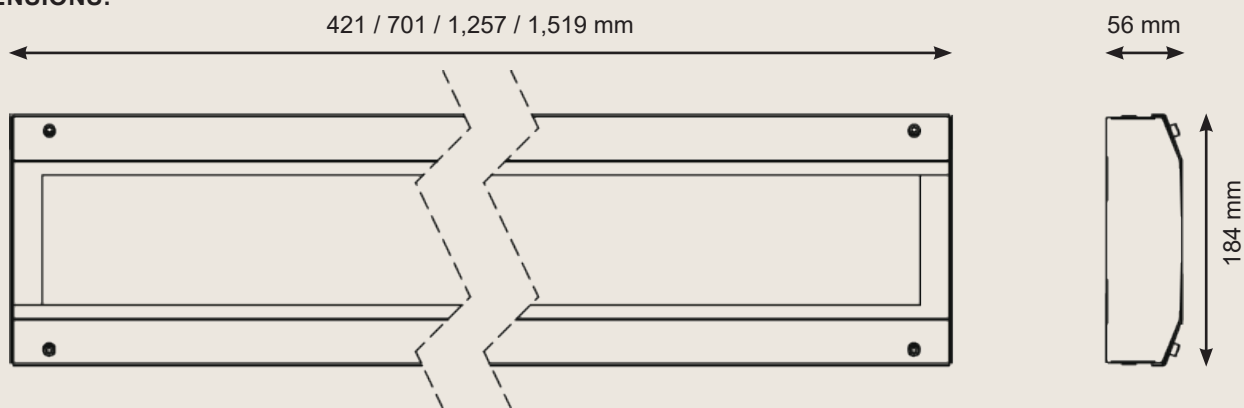
LED Surface Light BOXER-LED



LIGHT EMISSION:



DIMENSIONS:



ACCESSORIES:



Mounting frame
421 mm **EXV034**
701 mm **EXV035**
1,257 mm **EXV036**
1,519 mm **EXV037**

Set for corner installation
421 mm **EXV038**
701 mm **EXV039**
1,257 mm **EXV040**
1,519 mm **EXV041**

– Further models on request / subject to change and error –