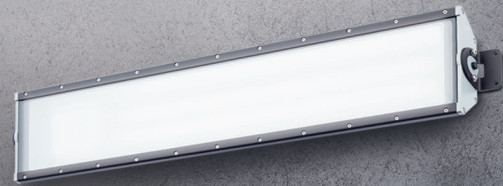
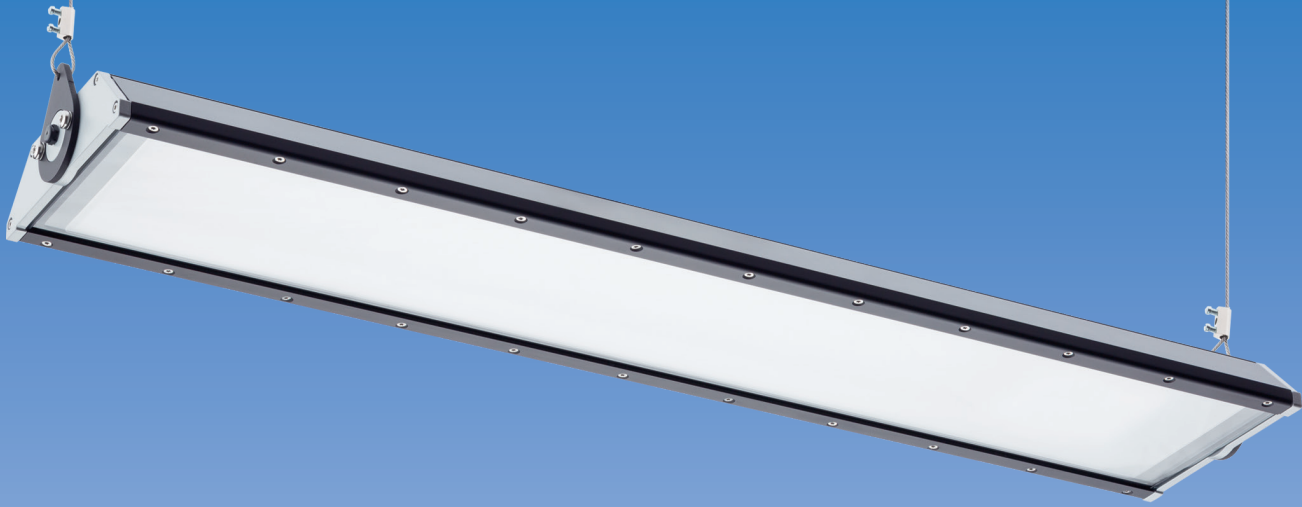


# ALFLED



ELSPRO<sup>®</sup>

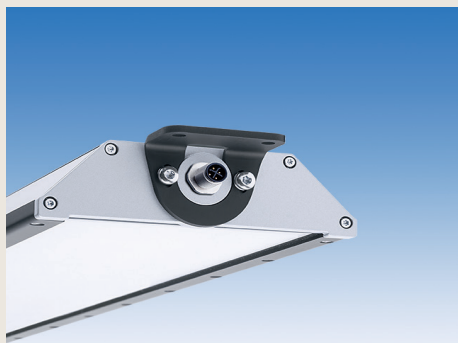


First select the type of mounting you require.

Your order then consists of:

**REQUIRED MOUNTING BRACKET**  
**+ SELECTED ALFLED VERSIONS**  
**+ SELECTED CONNECTION TYPE**

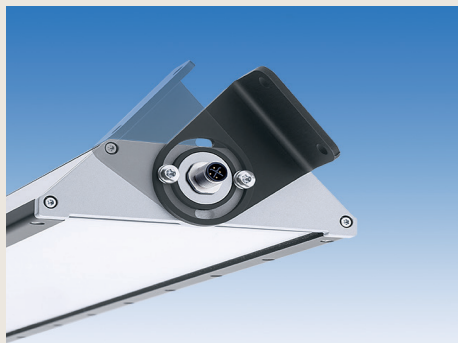
Order No.:



Lateral mounting brackets for wall or ceiling mounting, close-fitting

**163-410**

Set consisting of 2 black-anodised aluminium mounting brackets, including attachment fittings for fastening to the ALFLED



Lateral mounting brackets for corner or ceiling mounting, 90° tilting

**163-411**

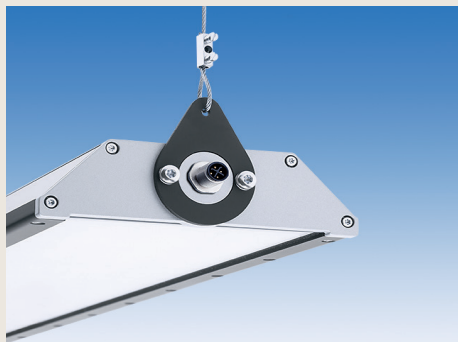
Set consisting of 2 black-anodised aluminium mounting brackets, including attachment fittings for fastening to the ALFLED



Lateral mounting brackets for wall mounting, +/- 45° tilting

**163-412**

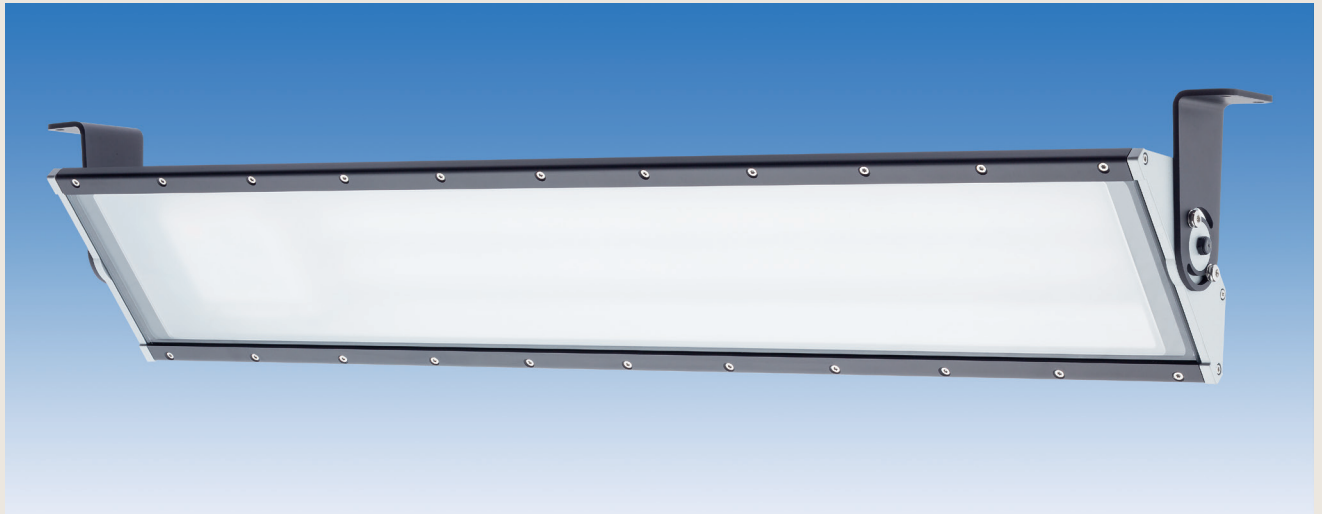
Set consisting of 2 black-anodised aluminium mounting brackets, including attachment fittings for fastening to the ALFLED



Lateral mounting lugs for suspending ceiling-mounted ALFLED

**163-413**

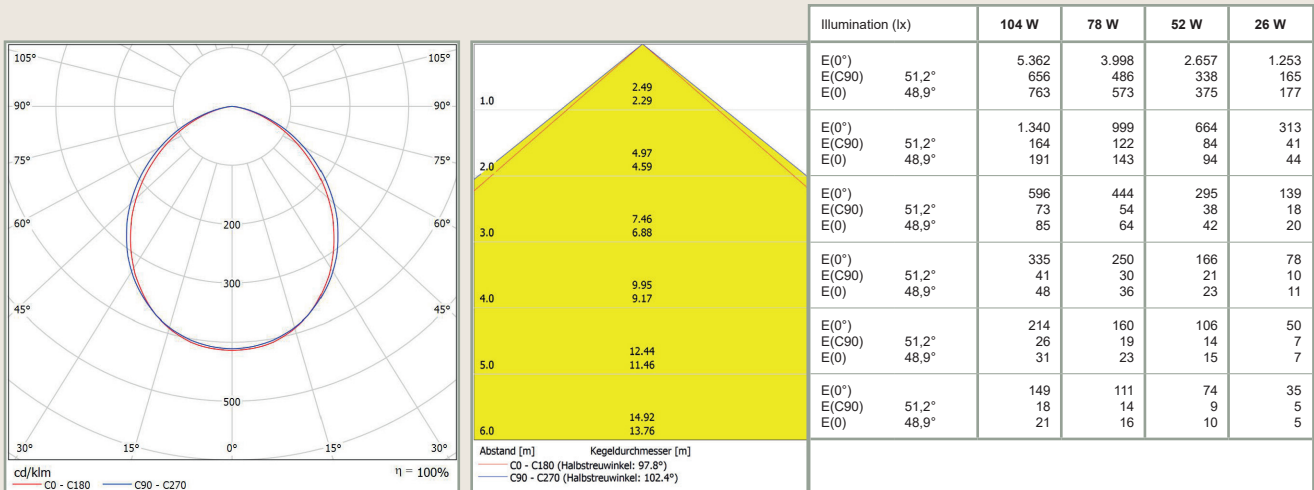
Set consisting of 2 black-anodised aluminium mounting brackets, including attachment fittings for fastening to the ALFLED and 2 wire ropes with attachment kit



### VERSIONS:

- models with two led panels, diffuser and tempered front glass

Lamp	Output	Luminous flux	R <sub>a</sub>	Beam angle	Length in mm	Order No. 24 V DC	Order No. 230 V AC
Mid-Power LED 2 LED panels	26 W	3.017 lm	> 80	100°/100°	586 mm	<b>7A242615</b>	<b>7A232615</b>
	52 W	6.405 lm			866 mm	<b>7A245215</b>	<b>7A235215</b>
	78 W	9.664 lm			1.276 mm	<b>7A247815</b>	<b>7A237815</b>
	104 W	12.958 lm			1.556 mm	<b>7A2410415</b>	<b>7A2310415</b>



### CONNECTION TYPES:

Cable connector* (coupling)	Cable	Order No. 24 V DC	Order No. 230 V AC	
		T-coded	S-coded	
	No cable	<b>160-800</b>	<b>160-900</b>	
	5 m	INDUSTRIEFLEX® 07HT 2x1,0 mm <sup>2</sup>	<b>160-805</b>	-
		ELSPRO-FLEX® G 05 2x1,0 mm <sup>2</sup>	<b>160-805G</b>	-
		INDUSTRIEFLEX® 07HT 3G1,0 mm <sup>2</sup>	-	<b>160-9E5</b>
		ELSPRO-FLEX® G 05 3G1,0 mm <sup>2</sup>	-	<b>160-9E5G</b>

\* Angled cable connector on request

– other models on request / subject to modification and errors –



# ALFLED

Aluminium Area Lamp LED

ALTERNATIVE VERSIONS

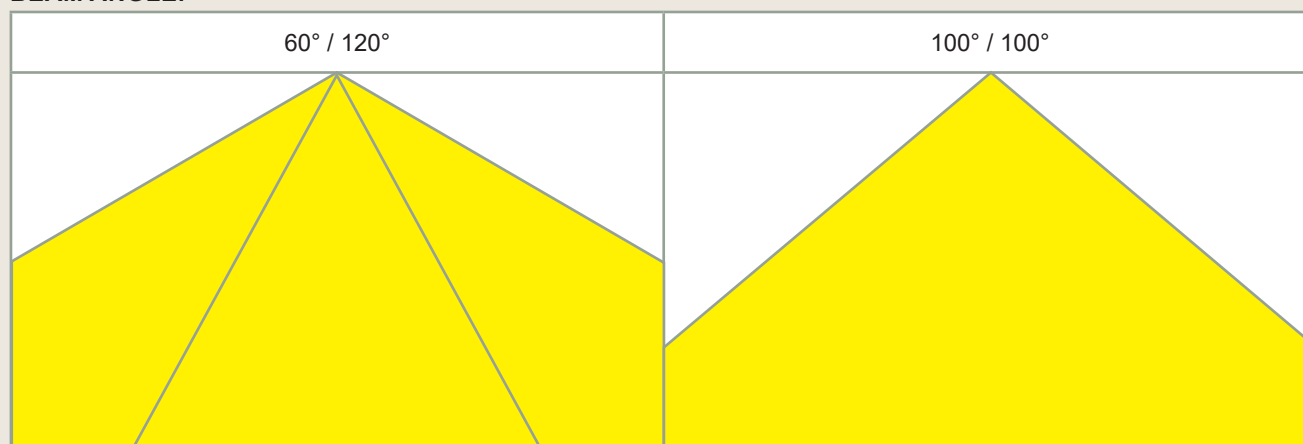
## ASK US FOR YOUR SPECIFIC VARIANT:

1.508 lm	3.017 lm		4.832 lm	6.405 lm		9.664 lm	12.958 lm
13 W	26 W		39 W	52 W		78 W	104 W
1 LED PANEL	1 LED PANEL	2 LED PANELS	1 LED PANEL	1 LED PANEL	2 LED PANELS	2 LED PANELS	2 LED PANELS
586 mm	866 mm	586 mm	1.276 mm	1.556 mm	866 mm	1.276 mm	1.556 mm

## POWER SUPPLY:

24 V DC	230 V AC
---------	----------

## BEAM ANGLE:



## FRONT GLASS:

TEMPERED GLASS	POLYCARBONATE	COLOURED POLYCARBONATE
----------------	---------------	------------------------

## DIMMABILITY:

NON-DIMMABLE (STANDARD)	DIMMABLE
-------------------------	----------

## WIRING:

STANDARD	FOR CONNECTING IN SERIES*
----------	---------------------------

Plug 24 V DC T-coded **160-801**  
Plug 230 V AC S-coded **160-700**  
assembled connecting cables on demand

\* The following combinations are technically not possible: DIMMABLE and CONNECTING IN SERIES

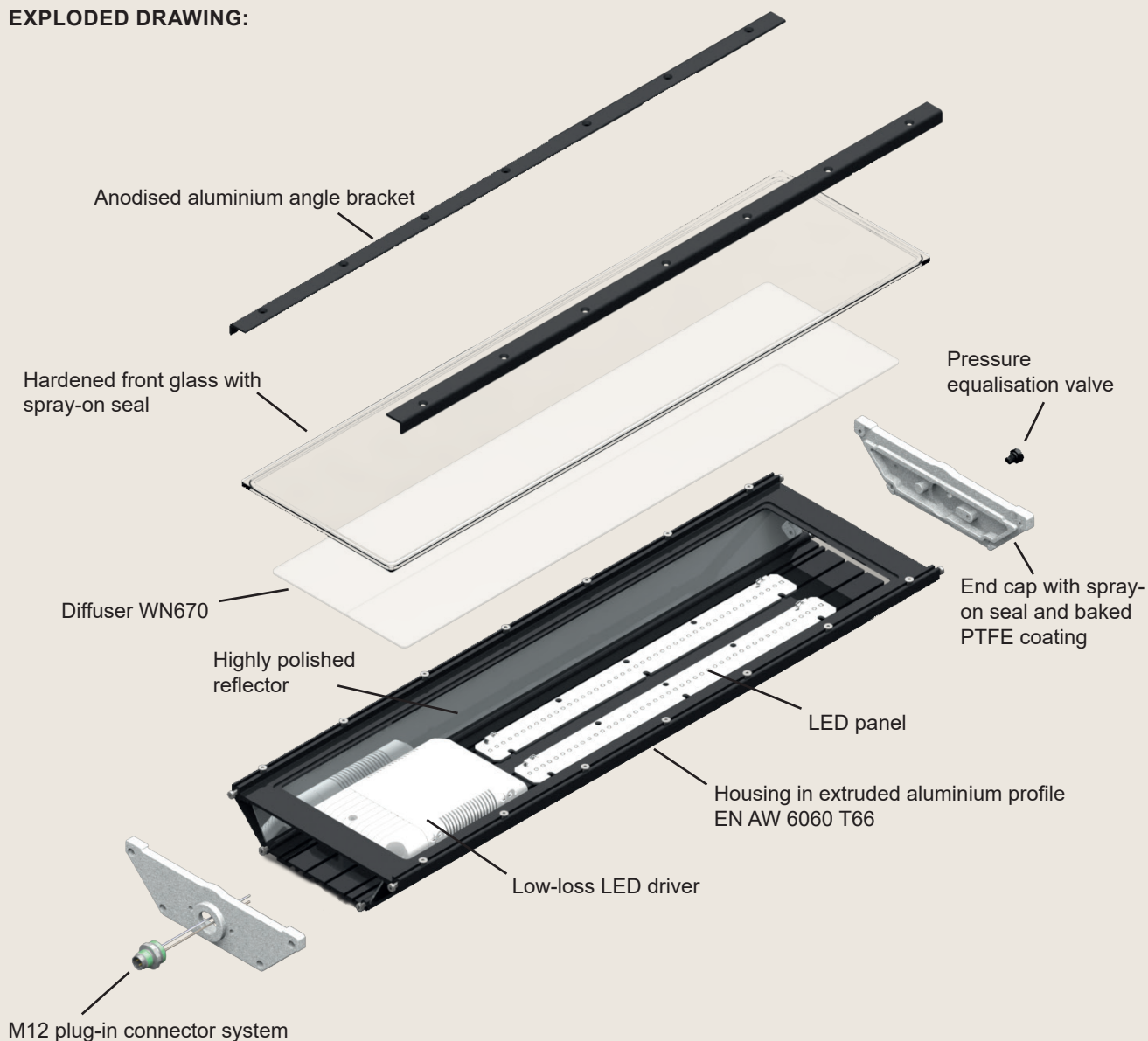
– other models on request / subject to modification and errors –

## SPECIAL FEATURES:

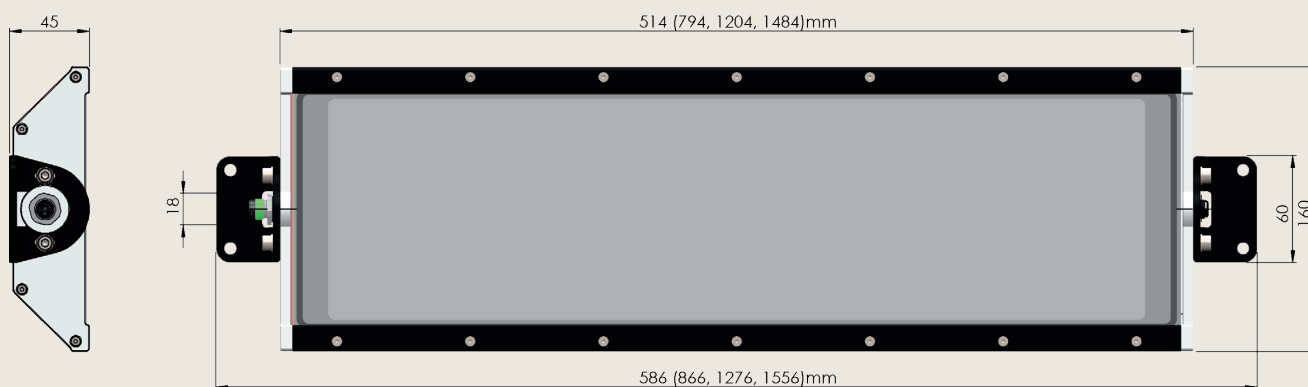
- Lamp body manufactured from black-anodised extruded aluminium profile EN AW 6060 T66
  - Side parts for attaching brackets are manufactured in diecast aluminium with baked PTFE coating
  - 4 mm hardened front glass with spray-on, oil-resistant seal for standard
  - Polycarbonate (coloured) front glass available
  - Diffuser, WN670
  - Low-loss electronic LED driver
  - Colour temperature 5,000 Kelvin
  - Ingress protection type IP67
  - Standard: 4-pole input with panel-mount connector 12A / M12 plug-in connector system
  - Protection class 1 (230 V) or protection class 3 (low voltage)
  - Beam angle of 60°/120° and 100°/100° available
  - Versions with 1 LED panel oder 2 LED panels
  - Ambient temperature -25°C to +40°C
  - Special-purpose solutions
  
  - Models for different application areas, ask for your solution!
- Enclosed, therefore very strong housing.  
Large surface area for efficient heat management
  - Side parts with spray-on foam seal make the profile dust and waterproof
  - Resistant to swarf and sparks, dust and waterproof
  
  - Break-proof, suitable for food industry
  - For a homogeneous distribution of light
  - High efficiency, low energy costs
  - Daylight white
  - Dust and waterproof
  - Coded plug-in connector system with high protection type
  - Excellent personnel protection
  
  - Individually configurable
  - For various light intensity
  - Suitable for different temperatures
  - For example:
    - dimmable via DALI control
    - dimmable via potentiometer
    - for connecting in series
  - Different application areas, e.g.:
    - Ceiling lights
    - Wall lights
    - Pendant lamp
    - Machine lamp
    - Workplace lamp
    - In wet areas
    - High-bay luminaire
    - Wire rope lamp
    - Food industry

– other models on request / subject to modification and errors –

### EXPLODED DRAWING:



### DIMENSIONS:



– other models on request / subject to modification and errors –