

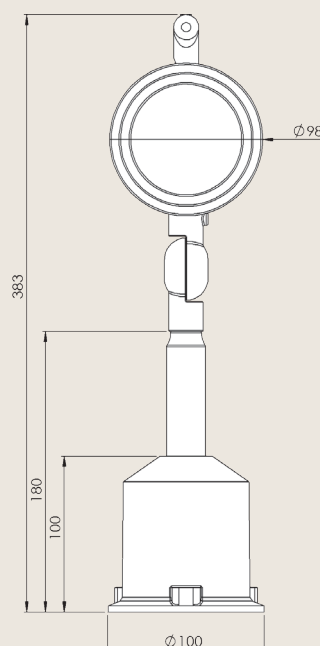
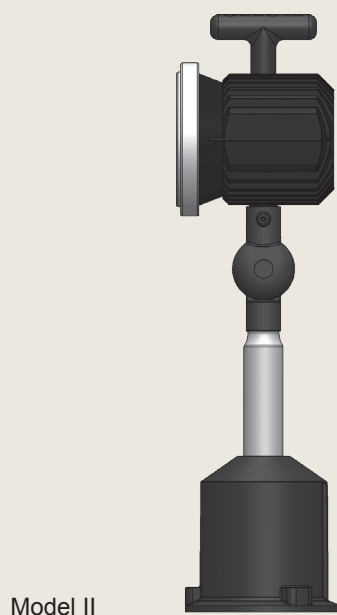
ALED Z1



ELSPRO®

SPECIAL FEATURES:

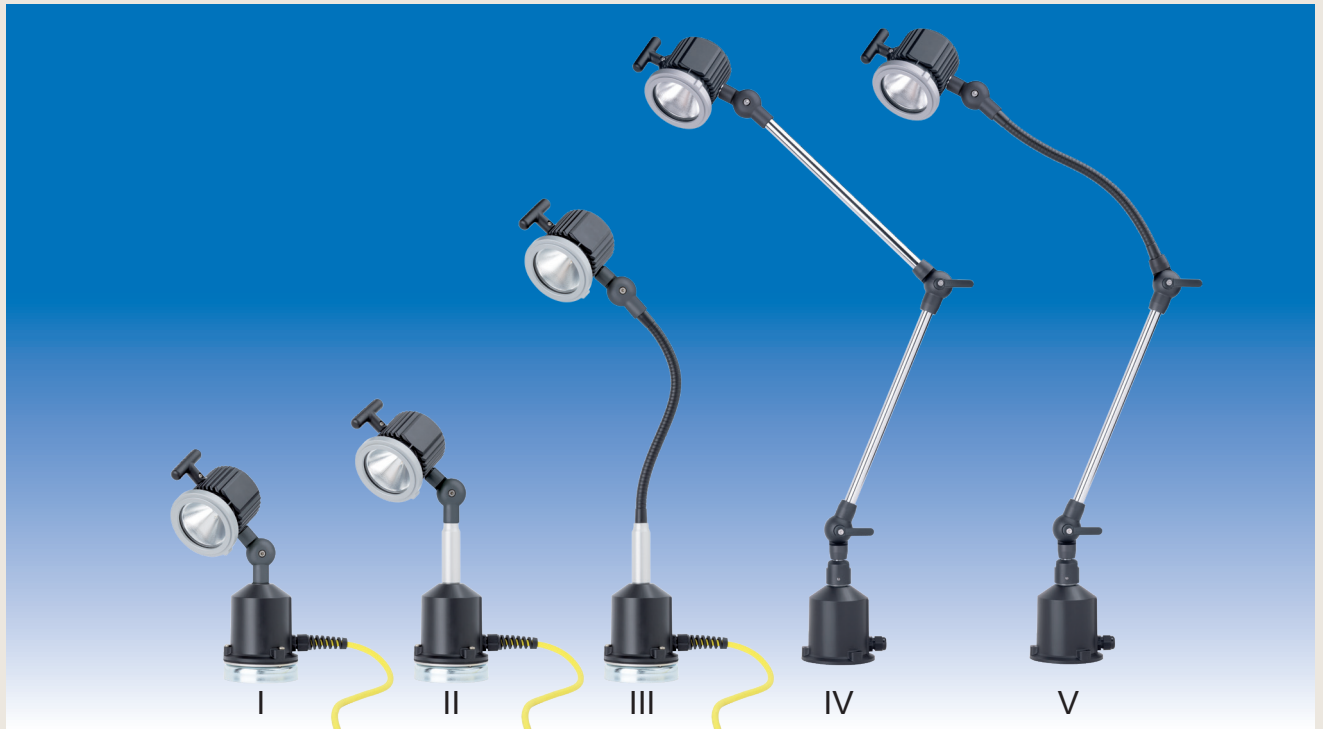
- Dimmable output levels → 0 lm up to 2,900 lm total luminous flux
- Standard colour temperature 5,000 Kelvin, optional 2,700 Kelvin → Daylight white or warm white
- Reflectors with different beam angles: 12° / 28° / 66° → Light beam focused according to requirements, the reflector can be changed without tools if required
- Clear or satinised front glass made of hardened glass → Focused or diffused light, can be changed also without tools
- Portable versions with spiral kink protection and special cable INDUSTRIEFLEX® 07HT → Robust cable routing with premium cable, for high mechanical loads
- Protection class IP 65 → Dustproof and water-jet-proof
- Protection class 2 (230 V) or protection class 3 (low voltage) → Personnel protection at the highest level
- Turn-tilt joint made of diecast aluminium on the lamp head → High-precision direction of the light, right where it is needed
- Handle on lamp head for directing the light → Simple handling
- Replaceable high-power LED Nichia COB → Future-proof replacement possible
- Large cooling ribs → Optimum heat dissipation
- Various models I / II / III / IV / V → The right version for every application
- Portable and stationary variants → Robust, impact-resistant design
- Connection housing made of glassfibre-reinforced polyamide PA6 → Extra strong attachment force
- Portable versions fitted with permanent magnets → Handy with good haptics
- On-off pushbutton including dimming function on lamp head → High colour rendering index
- $R_a = 83$ → High flexibility in light intensity
- Dimming function



– Other versions on request / subject to changes, E&OE –

ALED Z1

LED Workplace Lamp - dimmable



STANDARD MODELS:

- Output max.: 18 Watt
- Colour temperature: 5,000 Kelvin
- Reflector: 28°
- Front glass: Clear glass

DIMMING FUNCTION:

Tap on-off pushbutton	Switch On/Off
Keep pushbutton pressed (when switched on)	Dimming 20 %, every 2 seconds dimming another 20 %, until switched off

Alternative properties can be found on the next page →

Construction	Model	Supply cable with plug	Cable gland	Metal hose, length, mm	Tube 1, mm	Tube 2, mm	Order No. 24 V AC*	Order No. 42 V AC*	Order No. 230 V AC*
Portable with magnet	I	3 m	-	-	-	-	7ZD1802031	7ZD1803031	7ZD1804031
	II	3 m	-	-	-	-	7ZD1806031	7ZD1807031	7ZD1808031
Stationary for screwing on	I	-	M16	-	-	-	7ZD1802000	7ZD1803000	7ZD1804000
	II	-	M16	-	-	-	7ZD1806000	7ZD1807000	7ZD1808000
Portable with magnet	III	3 m	-	300	-	-	7ZD1814031	7ZD1815031	7ZD1816031
		3 m	-	400	-	-	7ZD1818031	7ZD1819031	7ZD1820031
Stationary for screwing on	III	-	M16	300	-	-	7ZD1814000	7ZD1815000	7ZD1816000
		-	M16	400	-	-	7ZD1818000	7ZD1819000	7ZD1820000
Connection housing with swivel joint and 2 tilting joints between housing and pipe as well as between both pipes	IV	-	M16	-	300	300	7ZD1850330	7ZD1851330	7ZD1852330
		-	M16	-	400	400	7ZD1850440	7ZD1851440	7ZD1852440
Connection housing with swivel joint and 2 tilting joints between housing and pipe as well as pipe and metal hose	V	-	M16	300	300	-	7ZD1854330	7ZD1855330	7ZD1856330
		-	M16	400	400	-	7ZD1854440	7ZD1855440	7ZD1856440

* 24 V DC and 42 V DC on request

- Other versions on request / subject to changes, E&OE -

ALED Z1

LED Workplace Lamps - dimmable

ALTERNATIVE VERSIONS

Ask for your alternative design:

MODEL:

I		II		III		IV	V
Portable with magnet	Stationary for screwing on	Portable with magnet	Stationary for screwing on	Portable with magnet	Stationary for screwing on	Connection housing with all joint and single-handed tilting joint	
						Between the two tubes	Between tube and metal hose
Supply cable with plug	Cable gland M16	Supply cable with plug	Cable gland M16	Supply cable with plug	Cable gland M16	Cable gland M16	Cable gland M16

POWER SUPPLY:

24 V AC	42 V AC	230 V AC
---------	---------	----------

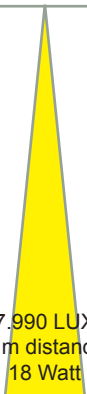
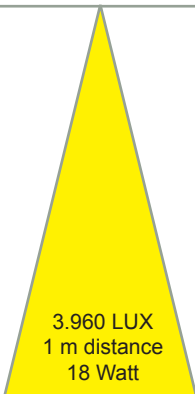

OUTPUT:

DIMMABLE UP TO MAX. 18 WATT

COLOUR TEMPERATURE:

2,700 KELVIN - WARM WHITE	5,000 KELVIN - DAYLIGHT WHITE
---------------------------	-------------------------------

REFLECTOR (BEAM ANGLE):

12°	28°	66°
 <p>7.990 LUX 1 m distance 18 Watt</p>	 <p>3.960 LUX 1 m distance 18 Watt</p>	 <p>3.200 LUX 1 m distance 18 Watt</p>

FRONT GLASS:

CLEAR	SATINISED
-------	-----------

– 24 V DC and 42 V DC and other versions on request / subject to changes, E&OE –

ALED Z1

LED Workplace Lamps - dimmable

DETAILS



Lamp head with cooling ribs for excellent heat management

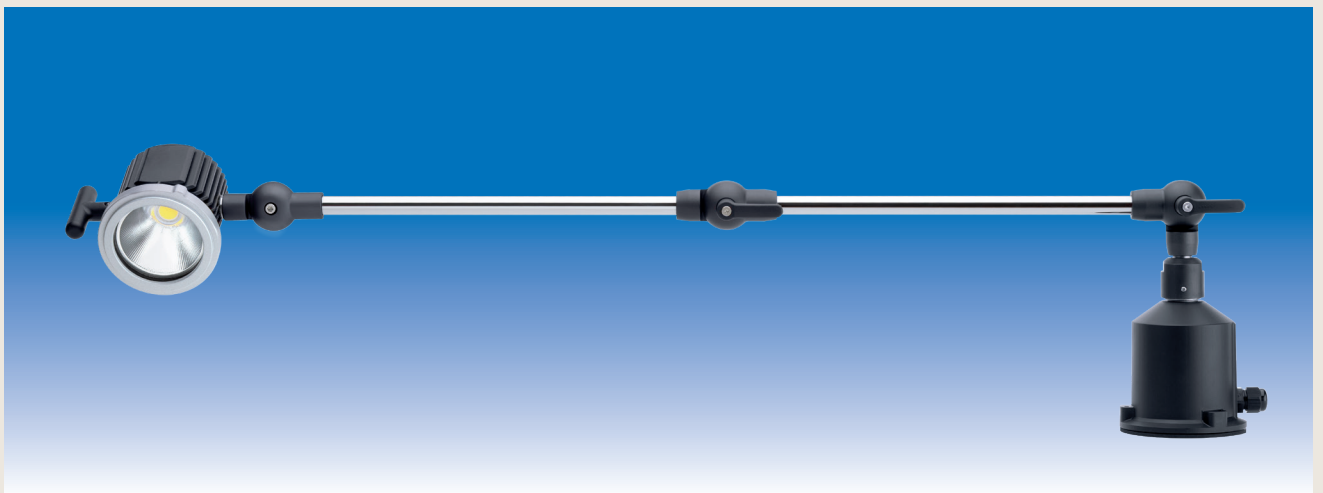
On-off pushbutton including dimming function on the back of the lamp head

Turn-tilt joint made of diecast aluminium



Handle on lamp head for directing the light

Portable versions with M16 cable gland with spiral kink protection and special cable INDUSTRIEFLEX® 07HT and permanent magnet with strong attachment force



Series IV and V: unique tilt-and-turn joints with adjustable clamping lever for easy loosening and locking:
Even more possible uses by tilting the light horizontally and beyond (up to 110°)

– Other versions on request / subject to changes, E&OE –

ALED Z1

LED Workplace Lamps - dimmable

SPARE PARTS

SPARE PARTS:

	Order No.:
Front glass made of clear glass including seal set	165-650
Front glass made of satinised glass including seal set	165-651
Front glass made of clear polycarbonate including seal set	165-660
Front glass made of matt polycarbonate including seal set	165-661
Reflector 12°	165-751
Reflector 28°	165-752
Reflector 66°	165-753
High-power LED Nichia COB 2,700K up to 18 Watt	165-703
High-power LED Nichia COB 5,000K up to 18 Watt	165-701
Handle	165-303
Seal set front glass	165-550
Seal set turn-tilt joint	165-560

EXPLODED DRAWING:



– Other versions on request / subject to changes, E&OE –