

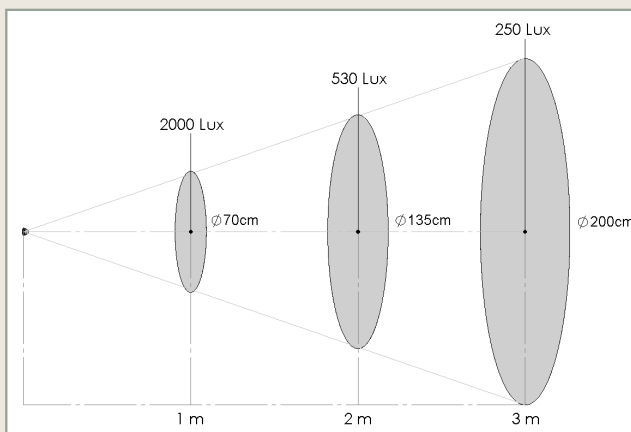


**MODELS:**

Voltage	Output	Cable with plug	Order Number
24 V AC/DC	9 W	5 m	S2009/5
		10 m	S2009/10
42 V AC/DC	9 W	5 m	S4009/5
		10 m	S4009/10

**SPECIAL FEATURES:**

- 9-watt LED behind an aspheric glass lens
- power consumption of maximum 12 watts
- housing of solid rubber
- low heat development as a result of extensively anodized heat link
- combination ON / OFF switch and push-button function
- high light output
- low energy input, low energy consumption, high effectiveness
- vibration-proof
- the lamp head does not become hot, even when operated continuously – NO BURNS
- can be switched on and off directly on the lamp



– other models on request / subject to modification and errors –