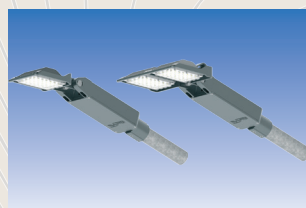
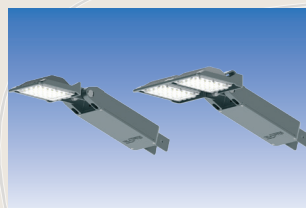


ELSPRO Lighting for Paths and Squares WHIPLLED





MODELS:

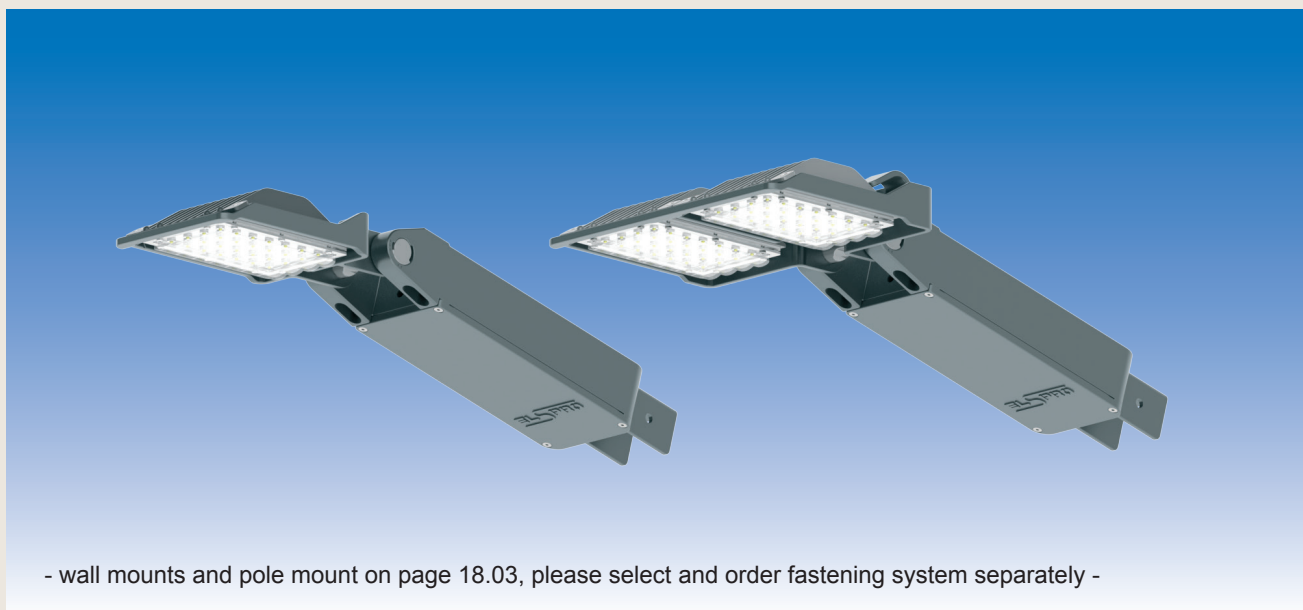
Voltage	Output	Lumen	Dimensions	Weight	Color	Order No.
170 - 240 V AC 50 / 60 Hz	32 W	2,680	H: 330 mm W: 131 mm / W: 264 mm T: 255 mm	2.8 kg	light gray RAL7035	EWL2328-1LG
					gray DB703	EWL2328-1GR
	64 W	5,360		4.0 kg	light gray RAL7035	EWL2356-1LG
					gray DB703	EWL2356-1GR

SPECIAL FEATURES:

- 28 or 56 high-performance LEDs → optimal light output, homogenous lighting
- rated output 32 or 64 watts → low energy costs
- sturdy housing made of special aluminum alloy with mounting connectors → weatherproof, hard-wearing, long service life
- large plastic-powder-coated heat sink → outstanding thermal management due to the large number of cooling fins
- angle of illumination: 160° with polycarbonate finish → excellent wide-area illumination
- color temperature: 5,800 K → similar to daylight
- ambient temperature: -20°C to +40°C → also suited for use when temperatures greatly fluctuate in both indoor and outdoor areas
- protection class: IP65 → dust-tight and sprayproof
- reduced weight of only 2.8 kg up to 4.1 kg → simple and secure wall mounting

- other models on request / subject to modification and errors -

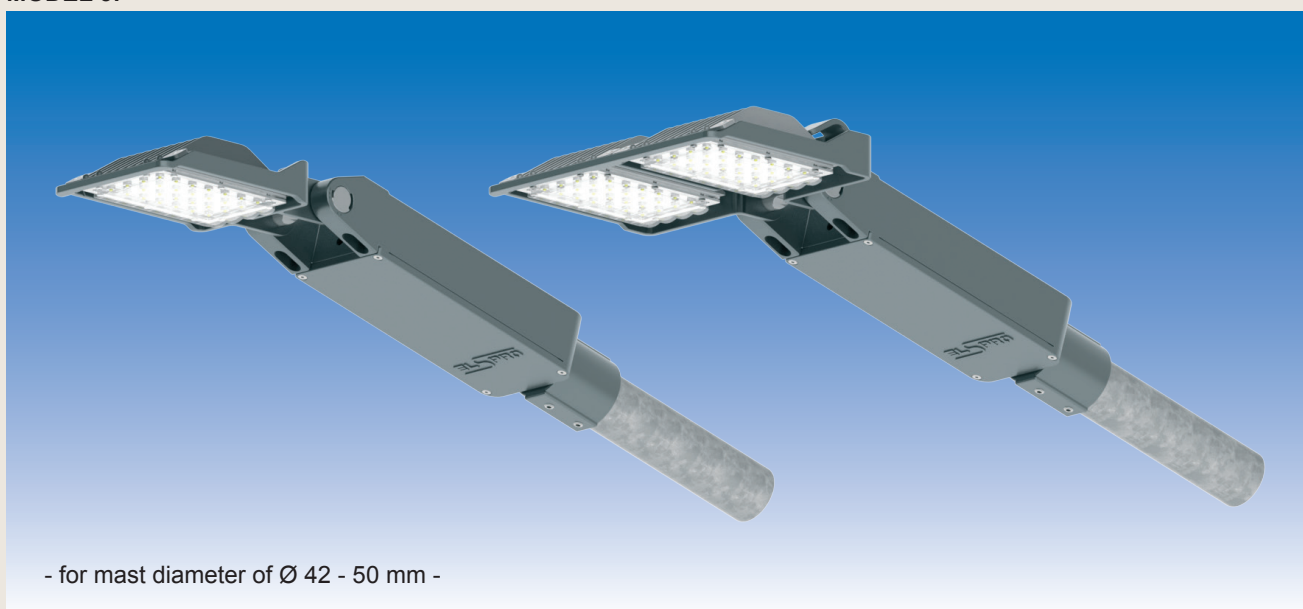
MODEL 2:



- wall mounts and pole mount on page 18.03, please select and order fastening system separately -

Voltage	Output	Lumen	Dimensions	Weight	Color	Order No.
170 - 240 V AC 50 / 60 Hz	32 W	2,680	H: 195 mm W: 131 mm / W: 264 mm T: 610 mm	2.9 kg	light gray RAL7035	EWL2328-2LG
					gray DB703	EWL2328-2GR
	64 W	5,360		4.1 kg	light gray RAL7035	EWL2356-2LG
					gray DB703	EWL2356-2GR

MODEL 3:



- for mast diameter of Ø 42 - 50 mm -

Voltage	Output	Lumen	Dimensions	Weight	Color	Order No.
170 - 240 V AC 50 / 60 Hz	32 W	2,680	H: 64 mm W: 131 mm / W: 264 mm T: 580 mm	2.9 kg	light gray RAL7035	EWL2328-3LG
					gray DB703	EWL2328-3GR
	64 W	5,360		4.1 kg	light gray RAL7035	EWL2356-3LG
					gray DB703	EWL2356-3GR

- other models on request / subject to modification and errors -

ELSPRO WHIPLD - Wall Mount and Mast Attachments fitting Model 2

COMPONENTS (plastic powder-coated aluminum):

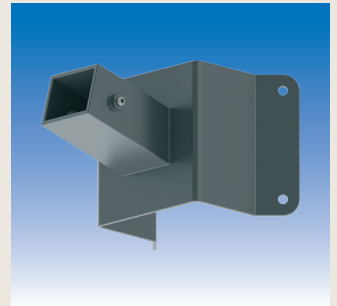
Outside corner wall mount

- connecting piece aligned 15° over the horizontal
- four mounting holes for wall mounting
- two-sided mounting of the WHIPLD with 2 V2A screws M8

light grey
grey

Order no.

128-821LG
128-821GR

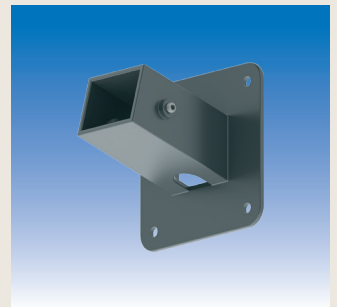


Flat wall mount

- connecting piece aligned 15° over the horizontal
- four mounting holes for wall mounting
- two-sided mounting of the WHIPLD with 2 V2A screws M8

light grey
grey

128-823LG
128-823GR



Mast attachment 1-compartment

- connecting piece aligned 15° over the horizontal
- one-sided mounting with 3 V2A screws M8
- two-sided mounting of the WHIPLD with 2 V2A screws M8
attachment for 76 mm mast diameter, model with 60 mm diameter, model with 60 mm diameter is reduced in size by means of corresponding sleeves

76 mm light grey
76 mm grey
60 mm light grey
60 mm grey

128-825LG
128-825GR
128-826LG
128-826GR



Mast attachment 2-compartment

- opposite connecting pieces aligned 15° over the horizontal
- three-sided mounting with 6 V2A screws M8
- two-sided mounting of the WHIPLD with 2 V2A screws M8
attachment for 86 mm mast diameter, models with 76 mm or 60 mm diameter is reduced in size by means of corresponding sleeves

86 mm light grey
86 mm grey
76 mm light grey
76 mm grey
60 mm light grey
60 mm grey

128-8286LG
128-8286GR
128-8276LG
128-8276GR
128-8260LG
128-8260GR



- other models on request / subject to modification and errors -

ELSPRO LED Lighting for Squares and Paths
Type WHIPLLED 28 and 56 - Models 1-3



WHIPLLED 28 Model 1 has an optional cable entry from below or along the housing rear

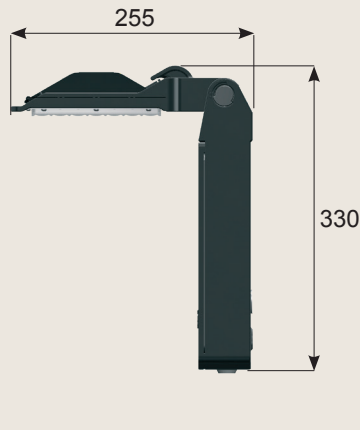


The head of the WHIPLLED is adjustable and can be locked in the desired position

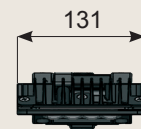


Outstanding thermal management thanks to a large number of cooling fins

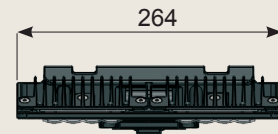
MODEL 1



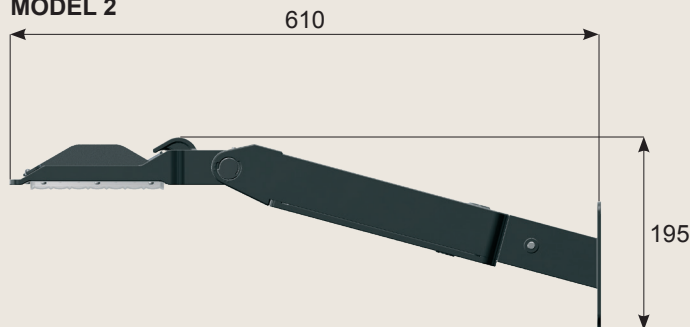
WHIPLLED 28



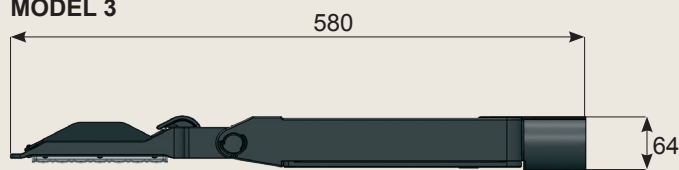
WHIPLLED 56



MODEL 2



MODEL 3



- other models on request / subject to modification and errors -