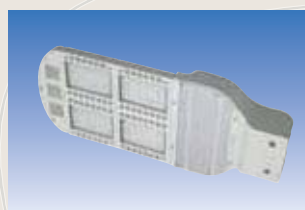
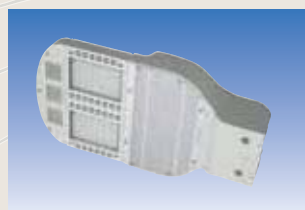
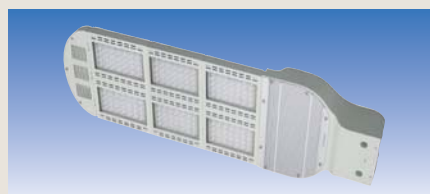


# ELSPRO LED Lighting for Streets / Paths / Squares SCOOPLED



## ELSPRO LED Lighting for Streets / Paths / Squares SCOOPLED



**SCOOPLED 56**

**SCOOPLED 112**

**SCOOPLED 168**

Model	SCOOPLED 56	SCOOPLED 112	SCOOPLED 168
Input voltage	85 V - 264 V AC		
Frequency range	47 - 63 Hz		
Power factor (PF)	> 0.9		
Total harmonic distortion (THD)	< 20 %		
Power efficiency	85 %		
Operating voltage	24 V DC		
Nominal output (W)	56 W	112 W	168 W
Bemessungsleistung (W)	70 W	142 W	198 W
LED light output	≥ 85 lm/W		
Luminous flux/Lumen (T <sub>j</sub> =60°C, T <sub>a</sub> =25°C)	5,000 lm	10,000 lm	15,000 lm
Luminous efficiency (%)	> 90 %		
Illumination (E)			
Height = 6 m	≥ 26 Lux	≥ 53 Lux	≥ 80 Lux
Height = 8 m	≥ 15 Lux	≥ 30 Lux	≥ 45 Lux
Height = 10 m	≥ 9 Lux	≥ 18 Lux	≥ 28 Lux
Height = 12 m	≥ 6 Lux	≥ 13 Lux	≥ 20 Lux
Area actually illuminated			
Height = 6 m	20 x 8 m		
Height = 8 m	26 x 10 m		
Height = 10 m	33 x 13 m		
Height = 12 m	40 x 16 m		
Color temperature daylight	5,000 - 7,000 K		
Color index (CRI)	Ra > 75		
Light source	LED (1 Watt)		
Light distribution curve	asymmetrical / right angle beam		
Beam angle	120°: horizontal axis: 110°, vertical axis: 45° 140°: horizontal axis: 130°, vertical axis: 45°		
Junction temperature (T <sub>j</sub> )	60°C ± 10% (T <sub>a</sub> = 25°C)		
System resistance (R <sub>ja</sub> )	0,56°C/W	0,28°C/W	0,19°C/W
Ambient temperature	-30°C up to +50°C		
Ambient humidity	10% up to 90%		
Storage temperature	-30°C up to +85°C		
Service life (lighting hours)	up to 50,000 hours		
Housing / LED cover	aluminum alloy + PC (polycarbonate)		
Dimensions (in mm)	610 (L) 315 (B) 120 (H)	785 (L) 315 (B) 120 (H)	960 (L) 315 (B) 120 (H)
Net weight	7 kg	10 kg	13 kg
Protection class	IP65		

– subject to modification and errors –



**Let there be light . . .**

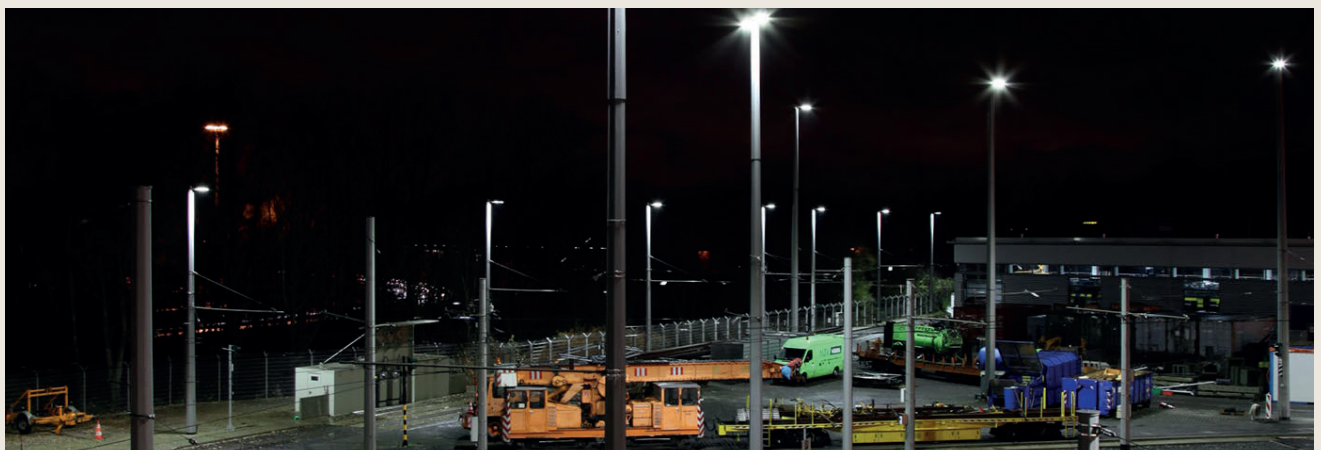
The innovative street lighting with LED Technology brings light into the dark.  
 The ELSPRO LED lighting SCOOPLED combines all the advantages of LED technology with high quality and robustness:

- low energy costs
- optimal light output
- outstanding wide-area illumination
- stable aluminum housing
- LED module with 28 1-watt LEDs
- with cover of polycarbonate with surface finish
- weatherproof

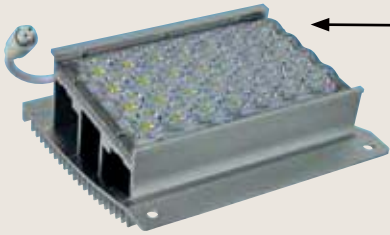
**Technical Specifications:**

- input voltage: 85 V – 264 V AC
- nominal frequency: 47–63 Hz
- power factor (PF): > 0.9
- power efficiency: > 85 %
- LED operating voltage: 24 V DC
- nominal output: 56 W
- rated output: 70 W
- luminous flux: 5,000 lumen
- LED operating life of up to 50,000 hours
- protection class: IP 65
- color temperature: daylight 5,000 – 7,500 K
- angle of illumination 120° (140°, 160° on request)

Model	Dimensions (LxWxH)	Weight	Light Source	Order No.
SCOOPLED 56	610 x 315 x 120 mm	7.0 kg	LED 2 x 28 1 W	<b>ESL56M</b>

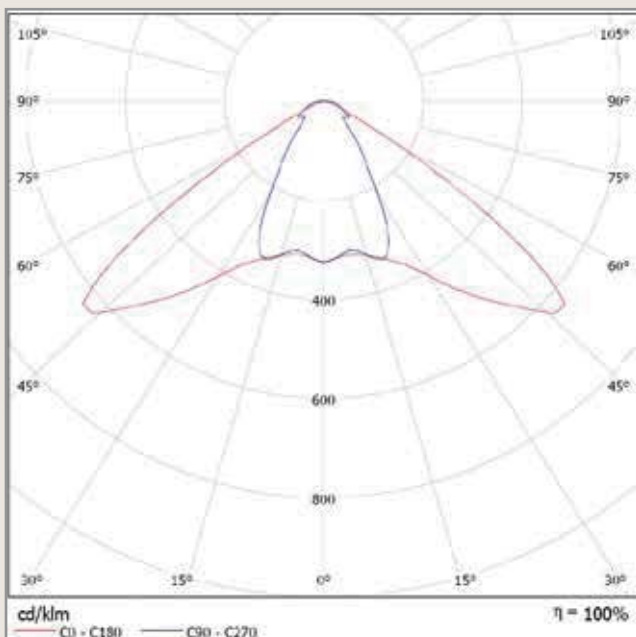
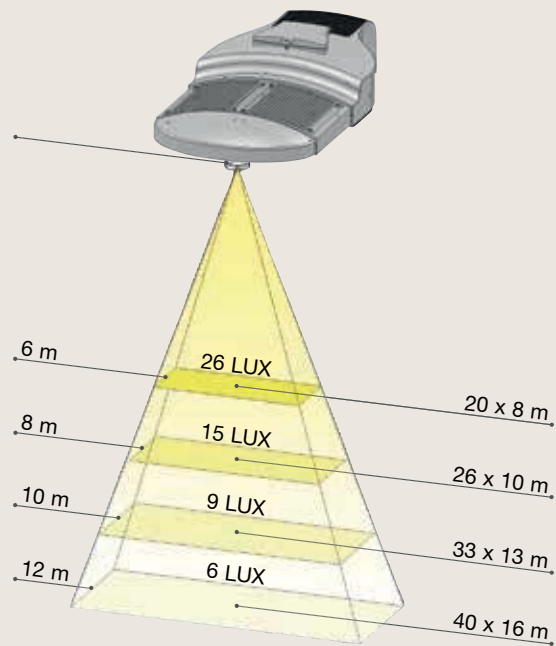
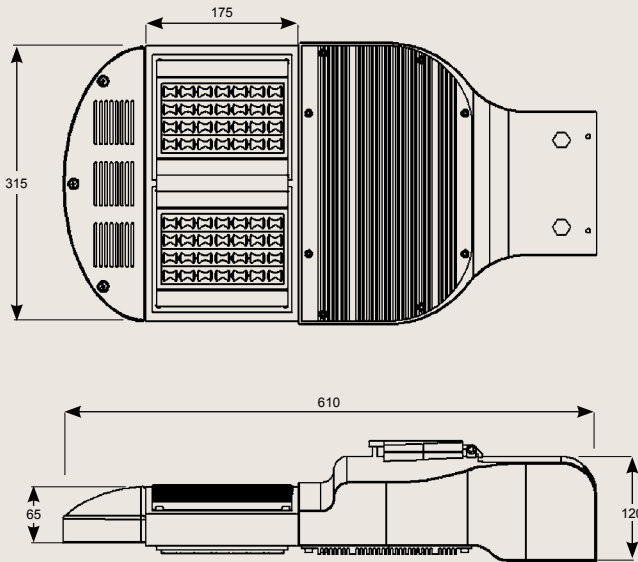


– other models on request / subject to modification and errors –



The individual replaceable LED modules are plugged into a connection socket.

The adjustment of the angle of inclination (0°–25°) is done in the mounting chamber, the lights can be mounted on poles or pipes with a diameter of 40–60 mm.



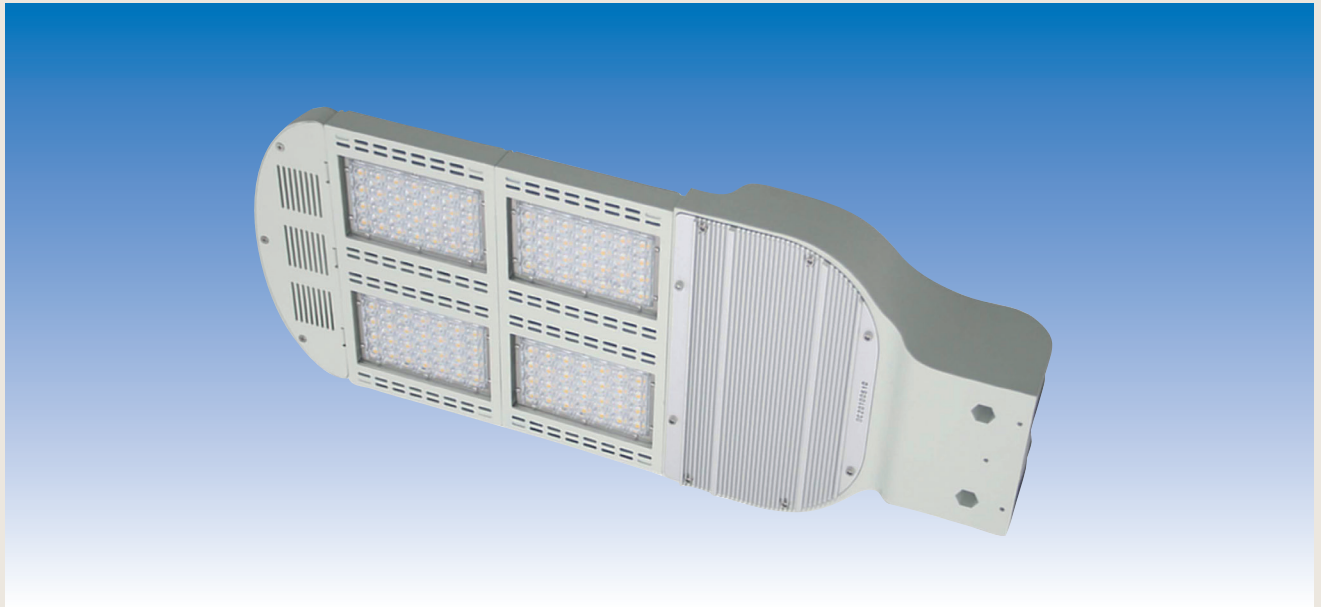
Abstand [m]	Kegeldurchmesser [m]	Beleuchtungsstärke [lx]
2.0	2.57	E(0°) 356
	6.09	E(C90) 32.7° 111
		E(C0) 56.7° 58
4.0	5.14	E(0°) 89
	12.18	E(C90) 32.7° 28
		E(C0) 56.7° 14
6.0	7.70	E(0°) 40
	18.27	E(C90) 32.7° 12
		E(C0) 56.7° 6
8.0	10.27	E(0°) 22
	24.36	E(C90) 32.7° 7
		E(C0) 56.7° 4
10.0	12.84	E(0°) 14
	30.45	E(C90) 32.7° 4
		E(C0) 56.7° 2
12.0	15.41	E(0°) 10
	36.54	E(C90) 32.7° 3
		E(C0) 56.7° 2

Abstand [m]      Kegeldurchmesser [m]      Beleuchtungsstärke [lx]

— C0 - C180 (Halbstreuwinkel: 113.4°)

— C90 - C270 (Halbstreuwinkel: 65.4°)

– other models on request / subject to modification and errors –



**Let there be light . . .**

The innovative street lighting with LED Technology brings light into the dark. The ELSPRO LED lighting SCOOPLED combines all the advantages of LED technology with high quality and robustness:

- low energy costs
- optimal light output
- outstanding wide-area illumination
- stable aluminum housing
- LED module with 28 1-watt LEDs
- with cover of polycarbonate with surface finish
- weatherproof

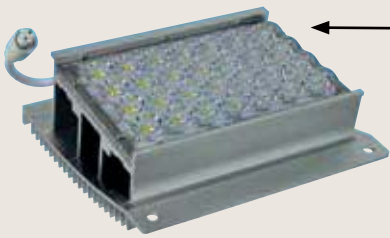
**Technical Specifications:**

- input voltage: 85 V – 264 V AC
- nominal frequency: 47–63 Hz
- power factor (PF): > 0.9
- power efficiency: > 85 %
- LED operating voltage: 24 V DC
- nominal output: 112 W
- rated output: 142 W
- luminous flux: 10,000 lumen
- LED operating life of up to 50,000 hours
- protection class: IP 65
- color temperature: daylight 5,000 – 7,500 K
- angle of illumination 120° (140°, 160° on request)

Model	Dimensions (LxWxH)	Weight	Light Source	Order No.
SCOOPLED 112	785 x 315 x 120 mm	10.0 kg	LED 4 x 28 1 W	ESL112M

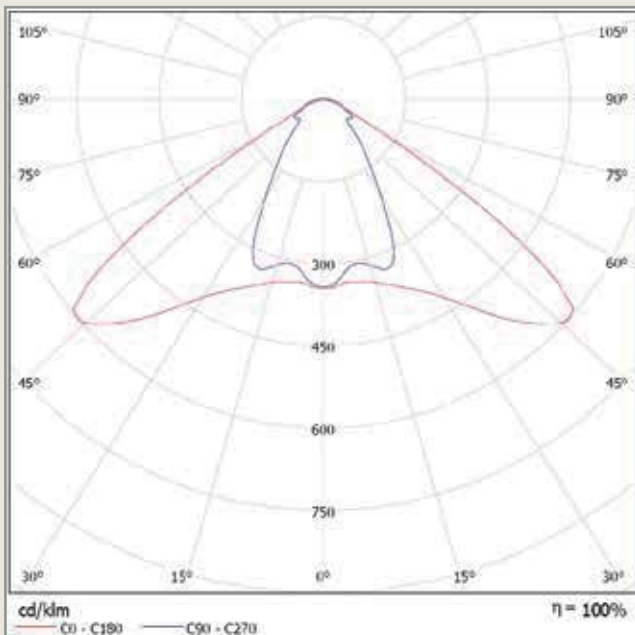
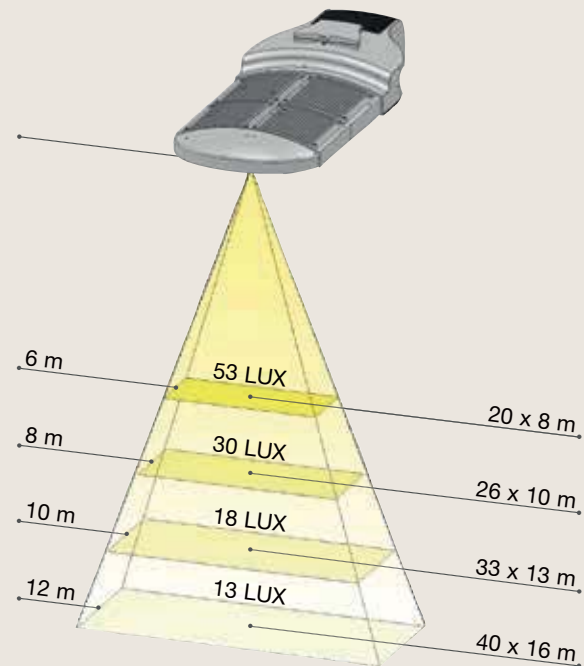
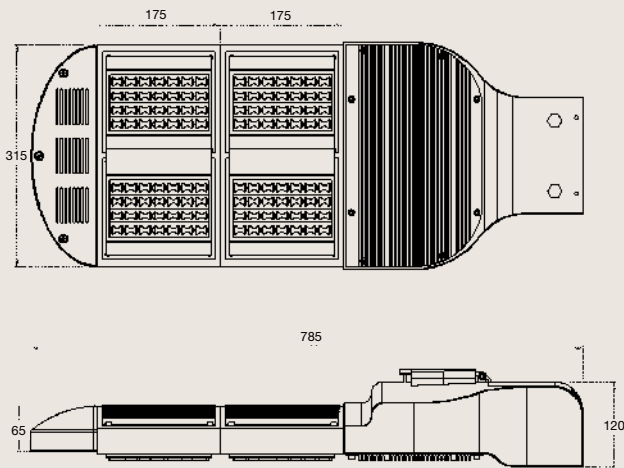


– other models on request / subject to modification and errors –



The individual replaceable LED modules are plugged into a connection socket.

The adjustment of the angle of inclination (0°–25°) is done in the mounting chamber, the lights can be mounted on poles or pipes with a diameter of 40–60 mm.

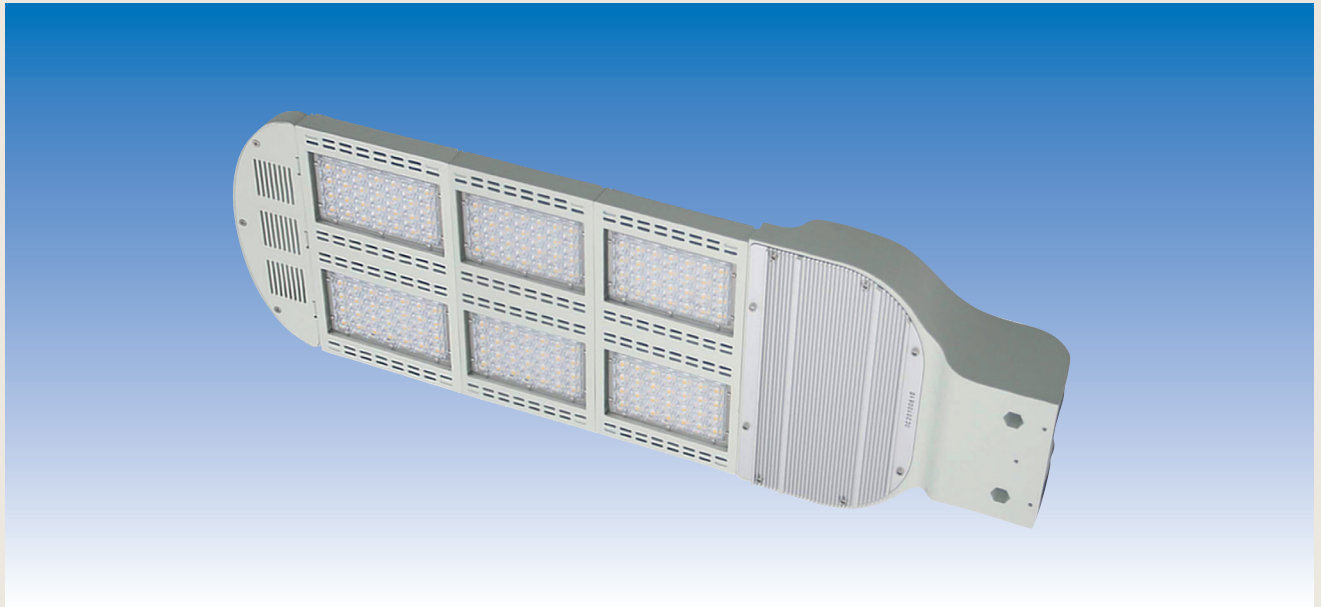


Abstand [m]	Kegeldurchmesser [m]	Beleuchtungsstärke [lx]
2.0	2.58	E(0°) 838
	6.02	E(C90) 32.8° 249
		E(C0) 56.4° 125
4.0	5.16	E(0°) 209
	12.04	E(C90) 32.8° 62
		E(C0) 56.4° 31
6.0	7.73	E(0°) 93
	18.06	E(C90) 32.8° 28
		E(C0) 56.4° 14
8.0	10.31	E(0°) 52
	24.08	E(C90) 32.8° 16
		E(C0) 56.4° 8
10.0	12.89	E(0°) 34
	30.10	E(C90) 32.8° 10
		E(C0) 56.4° 5
12.0	15.47	E(0°) 23
	36.12	E(C90) 32.8° 7
		E(C0) 56.4° 3

Abstand [m]      Kegeldurchmesser [m]      Beleuchtungsstärke [lx]

— C0 - C180 (Halbstreuwinkel: 112.8°)  
— C90 - C270 (Halbstreuwinkel: 65.6°)

– other models on request / subject to modification and errors –



**Let there be light . . .**

The innovative street lighting with LED Technology brings light into the dark. The ELSPRO LED lighting SCOOPLED combines all the advantages of LED technology with high quality and robustness:

- low energy costs
- optimal light output
- outstanding wide-area illumination
- stable aluminum housing
- LED module with 28 1-watt LEDs
- with cover of polycarbonate with surface finish
- weatherproof

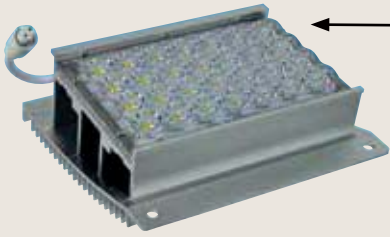
**Technical Specifications:**

- input voltage: 85 V – 264 V AC
- nominal frequency: 47–63 Hz
- power factor (PF): > 0.9
- power efficiency: > 85 %
- LED operating voltage: 24 V DC
- nominal output: 168 W
- rated output: 198 W
- luminous flux: 15,000 lumen
- LED operating life of up to 50,000 hours
- protection class: IP 65
- color temperature: daylight 5,000 – 7,500 K
- angle of illumination 120° (140°, 160° on request)

Model	Dimensions (LxWxH)	Weight	Light Source	Order No.
SCOOPLED 168	960 x 315 x 120 mm	13,0 kg	LED 6 x 28 1 W	ESL168M

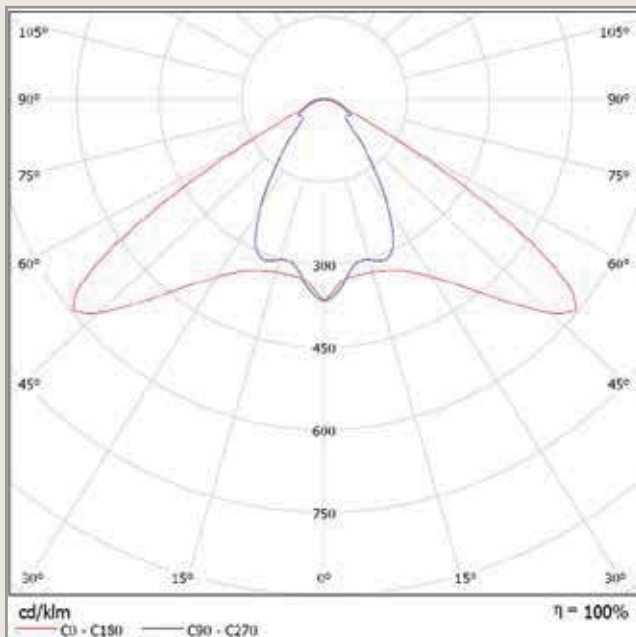
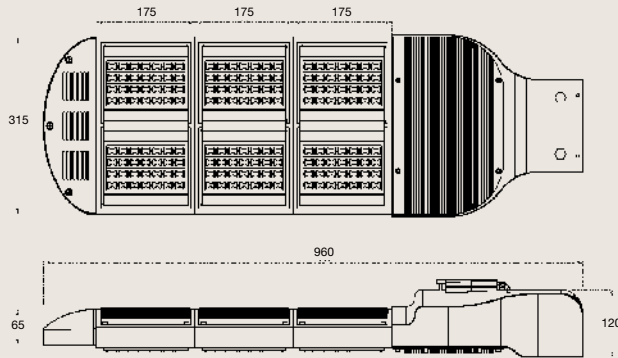


– other models on request / subject to modification and errors –



The individual replaceable LED modules are plugged into a connection socket.

The adjustment of the angle of inclination (0°–25°) is done in the mounting chamber, the lights can be mounted on poles or pipes with a diameter of 40–60 mm.



Abstand [m]	Kegeldurchmesser [m]	Beleuchtungsstärke [lx]
2.0	2.65	E(0°) 1269
	6.43	E(C90) 33.5° 371
		E(C0) 58.1° 154
4.0	5.30	E(0°) 317
	12.85	E(C90) 33.5° 93
		E(C0) 58.1° 39
6.0	7.94	E(0°) 141
	19.28	E(C90) 33.5° 41
		E(C0) 58.1° 17
8.0	10.59	E(0°) 79
	25.71	E(C90) 33.5° 23
		E(C0) 58.1° 10
10.0	13.24	E(0°) 51
	32.13	E(C90) 33.5° 15
		E(C0) 58.1° 6
12.0	15.89	E(0°) 35
	38.56	E(C90) 33.5° 10
		E(C0) 58.1° 4

Abstand [m]      Kegeldurchmesser [m]      Beleuchtungsstärke [lx]  
 — C0 - C180 (Halbstreuwinkel: 116.2°)  
 — C90 - C270 (Halbstreuwinkel: 67.0°)

– other models on request / subject to modification and errors –



# ELSPRO LED Lighting for Streets / Paths / Squares SCOOPLED

## Accessories and Replacement Parts

## Order No.

### Corner mounting for inner angle (90°)

ESL001

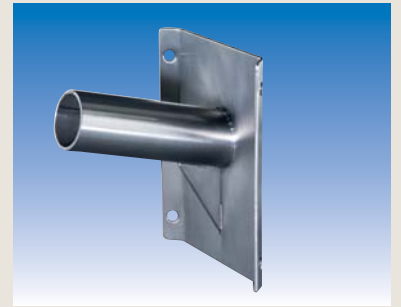
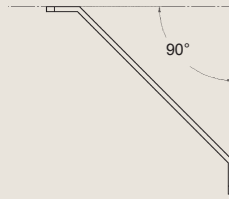
Material: stainless steel

Base area (H x W)

200 160 mm

Tube length: 190 mm

Diameter: 50 mm



### Wall (0°) and corner mounting for outer angle (90°)

ESL002

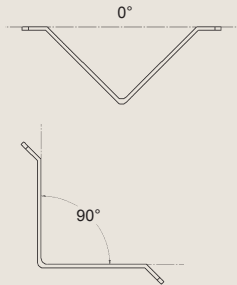
Material: stainless steel

Base area (H x W)

200 160 mm

Tube length: 190 mm

Diameter: 50 mm



### Pole mounting for SCOOPLED with

1 lamp holder support (not shown)

2 lamp holder supports

3 lamp holder supports

4 lamp holder supports

ESL/M841

ESL/M842

ESL/M843

ESL/M844

Material: stainless steel

1 pole mounting

External pipe dimensions: 88.9 mm

Material thickness: 3 mm

incl. cross bar, diameter: 10 mm

for posts with a top diameter of 67–87 mm,  
variably adjustable

Lamp holder support horizontal 0° model

D=55mm, L=250mm, material thickness: 2mm

with opening for cable outlet

with plate: 90 x 30 mm, for the straight alignment  
of the lamp

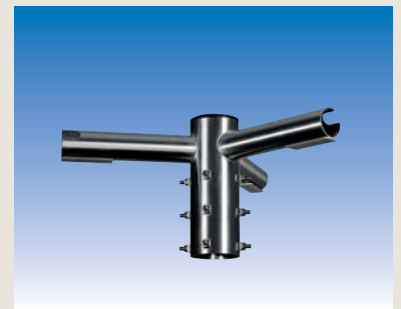
with 8 or 12 fasteners for the pole mounting

with a removable, tight-fitting rubber cap

incl. socket head screws:

M8 x 30 hex key V2A (DIN ISO 4027)

incl. nuts: M8 V2A low form (DIN ISO 4036)



– other models on request / subject to modification and errors –

# ELSPRO LED Lighting for Streets / Paths / Squares SCOOPLED

## Accessories and Replacement Parts

## Order No.

### LED module with connector system

for SCOOPLED 56 / 112 / 168

28 1-watt LEDs

closed version

(delivered as of ca. January 2012)

**ESL003G**

closed version

(delivered as of ca. June 2015)

**ESL003M**



### Pigeon defense for

SCOOPLED56

SCOOPLED112

SCOOPLED168

**ESL-TA56**

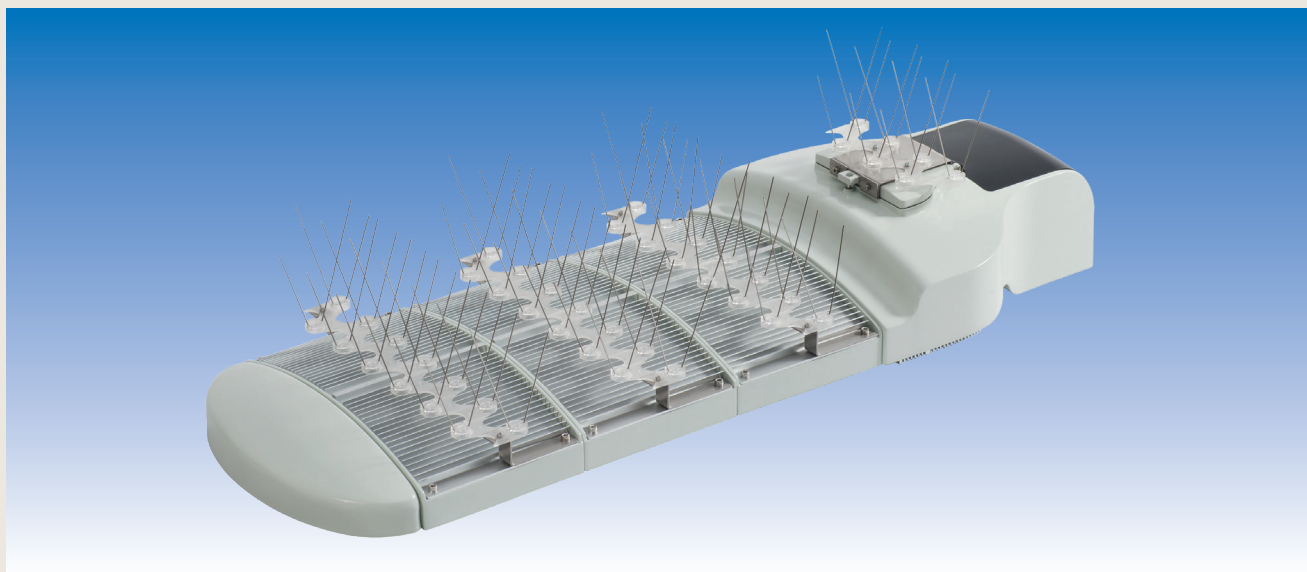
**ESL-TA112**

**ESL-TA168**

Consisting of:

- 1 stainless steel mounting plate with premounted pigeon defense strips, for mounting on connection cover
- 2 / 4 / 6 premounted stainless steel brackets
- 1 / 2 / 3 pigeon defense strips, for connecting to 2 / 4 / 6 LED modules

Construction of pigeon defense strips: 4 rows of rustproof spring steel wire; wire thickness 1.3 mm  
Spike height of 110 mm mounted on a transparent and UV-stabilized polycarbonate strip



– other models on request / subject to modification and errors –