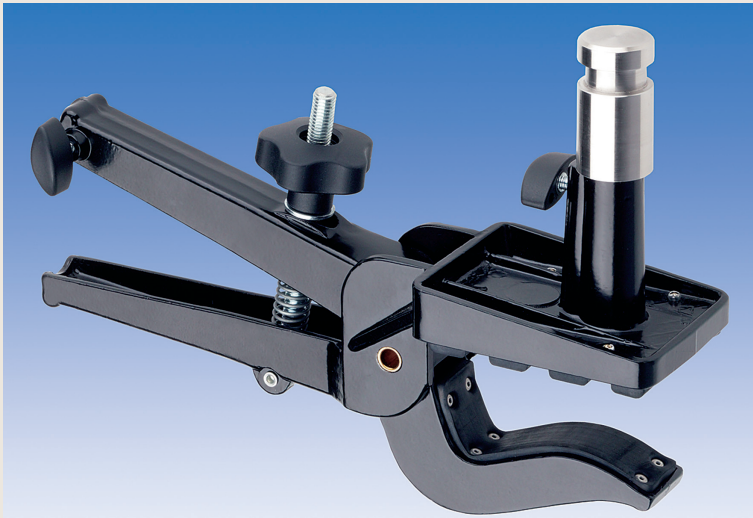


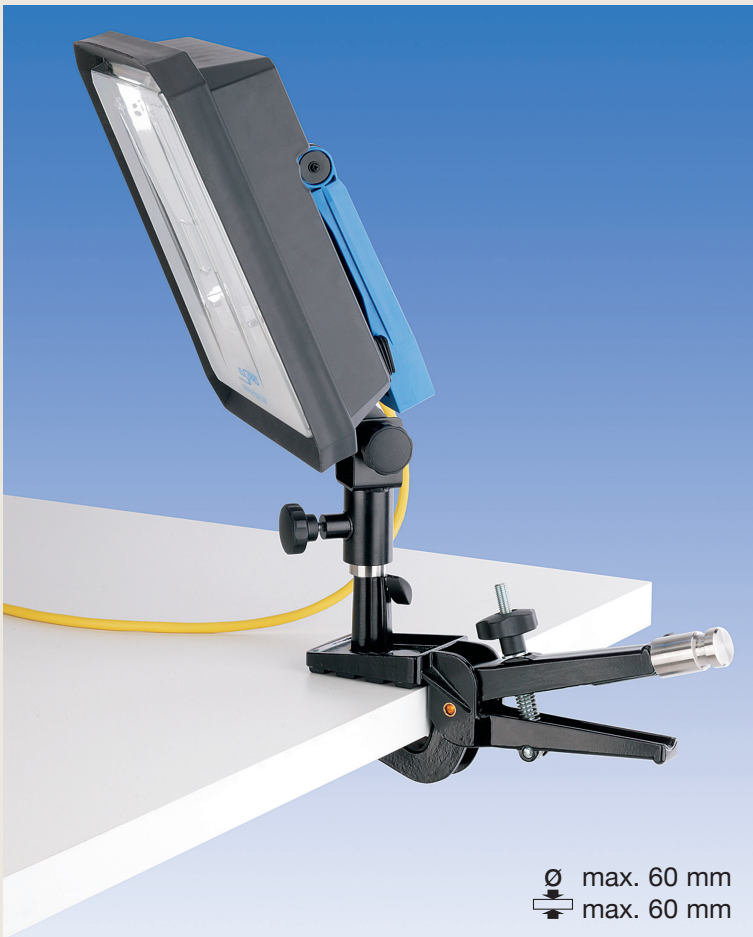
ELSPRO Special Mounting Support Type SUPERGREIF



FEATURES AND QUALITIES:

- robust gripping clamp in black lacquered steel
- secure attachment of the SUPERGREIF with locking screw and upper rubberized inner surface
- flexible mounting options as a result of double sockets for DIN pins
- length: 30 cm
- weight: 1.0 kg
- load capacity: 15.0 kg
- delivery including \varnothing 30 mm DIN pins

Order No. **TV7361**



Example for use:

ELSPRO special mounting support SUPERGREIF with tilt joint and panel light QV72

Mounting information for attaching the tilt joint:



— other models on request / subject to modification and errors —