

Ø 70 mm methacrylate



installation clips v. accessories

bulb	power watt	volt. A.C.	luminous flux lumen	tube Ø mm material	length in mm		with built-in EVG	without built-in EVG	in IP 67 separate EVG
					with built-in EVG	without built-in EVG			
Dulux	7	24	400	70 methacrylate	378	258	SA 0009-G	SA 0010-G	SAV 0001-G
Dulux	7	230	400	70 methacrylate	378	258	SA 0011-G	SA 0010-G	SAV 0002-G
Dulux	9	24	600	70 methacrylate	378	298	SA 0012-G	SA 0013-G	SAV 0003-G
Dulux	9	230	600	70 methacrylate	378	298	SA 0014-G	SA 0013-G	SAV 0004-G
Dulux	11	24	900	70 methacrylate	443	363	SA 0015-G	SA 0016-G	SAV 0005-G
Dulux	11	230	900	70 methacrylate	443	363	SA 0017-G	SA 0016-G	SAV 0006-G
Dulux	18	24	1200	70 methacrylate	502	365	SA 0003-G	SA 0002-G	SAV 0007-G
Dulux	18	230	1200	70 methacrylate	502	365	SA 0001-G	SA 0002-G	SAV 0008-G
Dulux	24	24	1800	70 methacrylate	604	469	SA 0018-G	SA 0019-G	SAV 0009-G
Dulux	24	230	1800	70 methacrylate	604	469	SA 0004-G	SA 0019-G	SAV 0010-G
Dulux	36	24	2900	70 methacrylate	697	561	SA 0006-G	SA 0005-G	SAV 0011-G
Dulux	36	230	2900	70 methacrylate	697	561	SA 0008-G	SA 0005-G	SAV 0012-G
Dulux	55	24	4800	70 methacrylate	822	683	SA 0020-G	SA 0007-G	SAV 0013-G
Dulux	55	230	4800	70 methacrylate	822	683	SA 0021-G	SA 0007-G	SAV 0014-G
Linear	18	24	1300	70 methacrylate	878	729	SA 0022-G	SA 0023-G	SAV 0015-G
Linear	18	230	1300	70 methacrylate	878	729	SA 0024-G	SA 0023-G	SAV 0016-G
Linear	30	24	2350	70 methacrylate	1203	1060	SA 0025-G	SA 0026-G	SAV 0017-G
Linear	30	230	2350	70 methacrylate	1203	1060	SA 0027-G	SA 0026-G	SAV 0018-G
Linear	36	24	3250	70 methacrylate	1488	1363	SA 0028-G	SA 0029-G	SAV 0019-G
Linear	36	230	3250	70 methacrylate	1488	1363	SA 0030-G	SA 0029-G	SAV 0020-G
Linear	58	24	5000	70 methacrylate	1787	1663	SA 0031-G	SA 0032-G	SAV 0021-G
Linear	58	230	5000	70 methacrylate	1787	1663	SA 0033-G	SA 0032-G	SAV 0022-G

- further designs on request / subject to changes and errors -

Ø 70 mm glass borosilicate



installation clips v. accessories

bulb	power watt	volt. A.C.	luminous flux lumen	tube Ø mm material	length in mm		with built-in EVG	order number	
					with built-in EVG	without built-in EVG		with built-in EVG	without built-in EVG
Dulux	7	24	400	70 glass borosilicate	378	258	<b>SB 0016-G</b>	<b>SB 0018-G</b>	<b>SBV 0001-G</b>
Dulux	7	230	400	70 glass borosilicate	378	258	<b>SB 0017-G</b>	<b>SB 0018-G</b>	<b>SBV 0002-G</b>
Dulux	9	24	600	70 glass borosilicate	378	298	<b>SB 0019-G</b>	<b>SB 0021-G</b>	<b>SBV 0003-G</b>
Dulux	9	230	600	70 glass borosilicate	378	298	<b>SB 0020-G</b>	<b>SB 0021-G</b>	<b>SBV 0004-G</b>
Dulux	11	24	900	70 glass borosilicate	443	363	<b>SB 0015-G</b>	<b>SB 0014-G</b>	<b>SBV 0005-G</b>
Dulux	11	230	900	70 glass borosilicate	443	363	<b>SB 0008-G</b>	<b>SB 0014-G</b>	<b>SBV 0006-G</b>
Dulux	18	24	1200	70 glass borosilicate	502	365	<b>SB 0006-G</b>	<b>SB 0001-G</b>	<b>SBV 0007-G</b>
Dulux	18	230	1200	70 glass borosilicate	502	365	<b>SB 0002-G</b>	<b>SB 0001-G</b>	<b>SBV 0008-G</b>
Dulux	24	24	1800	70 glass borosilicate	604	469	<b>SB 0022-G</b>	<b>SB 0024-G</b>	<b>SBV 0009-G</b>
Dulux	24	230	1800	70 glass borosilicate	604	469	<b>SB 0023-G</b>	<b>SB 0024-G</b>	<b>SBV 0010-G</b>
Dulux	36	24	2900	70 glass borosilicate	697	561	<b>SB 0010-G</b>	<b>SB 0011-G</b>	<b>SBV 0011-G</b>
Dulux	36	230	2900	70 glass borosilicate	697	561	<b>SB 0003-G</b>	<b>SB 0011-G</b>	<b>SBV 0012-G</b>
Dulux	55	24	4800	70 glass borosilicate	822	683	<b>SB 0012-G</b>	<b>SB 0009-G</b>	<b>SBV 0013-G</b>
Dulux	55	230	4800	70 glass borosilicate	822	683	<b>SB 0013-G</b>	<b>SB 0009-G</b>	<b>SBV 0014-G</b>
Linear	18	24	1300	70 glass borosilicate	878	729	<b>SB 0025-G</b>	<b>SB 0027-G</b>	<b>SBV 0015-G</b>
Linear	18	230	1300	70 glass borosilicate	878	729	<b>SB 0026-G</b>	<b>SB 0027-G</b>	<b>SBV 0016-G</b>
Linear	30	24	2350	70 glass borosilicate	1203	1060	<b>SB 0028-G</b>	<b>SB 0030-G</b>	<b>SBV 0017-G</b>
Linear	30	230	2350	70 glass borosilicate	1203	1060	<b>SB 0029-G</b>	<b>SB 0030-G</b>	<b>SBV 0018-G</b>
Linear	36	24	3250	70 glass borosilicate	1488	1363	<b>SB 0031-G</b>	<b>SB 0033-G</b>	<b>SBV 0019-G</b>
Linear	36	230	3250	70 glass borosilicate	1488	1363	<b>SB 0032-G</b>	<b>SB 0033-G</b>	<b>SBV 0020-G</b>
Linear	58	24	5000	70 glass borosilicate	1787	1663	<b>SB 0004-G</b>	<b>SB 0034-G</b>	<b>SBV 0021-G</b>
Linear	58	230	5000	70 glass borosilicate	1787	1663	<b>SB 0007-G</b>	<b>SB 0034-G</b>	<b>SBV 0022-G</b>

- further designs on request / subject to changes and errors -

Ø 60 mm methacrylate



sealing claps with integrated assembly angle

bulb	power watt	volt. A.C.	luminous flux lumen	tube Ø mm material	length in mm		with built-in EVG	without built-in EVG	order number		
					with built-in EVG	without built-in EVG			with built-in EVG	without built-in EVG	in IP 67 separate EVG
Dulux	7	24	400	60 methacrylate	357	265	SC 0015-G	SC 0017-G	SCV 0001-G		
Dulux	7	230	400	60 methacrylate	357	265	SC 0016-G	SC 0017-G	SCV 0002-G		
Dulux	9	24	600	60 methacrylate	364	300	SC 0018-G	SC 0020-G	SCV 0003-G		
Dulux	9	230	600	60 methacrylate	364	300	SC 0019-G	SC 0020-G	SCV 0004-G		
Dulux	11	24	900	60 methacrylate	460	380	SC 0003-G	SC 0004-G	SCV 0005-G		
Dulux	11	230	900	60 methacrylate	460	380	SC 0021-G	SC 0004-G	SCV 0006-G		
Dulux	18	24	1200	60 methacrylate	519	396	SC 0022-G	SC 0024-G	SCV 0007-G		
Dulux	18	230	1200	60 methacrylate	519	396	SC 0023-G	SC 0024-G	SCV 0008-G		
Dulux	24	24	1800	60 methacrylate	621	501	SC 0006-G	SC 0007-G	SCV 0009-G		
Dulux	24	230	1800	60 methacrylate	621	501	SC 0005-G	SC 0007-G	SCV 0010-G		
Dulux	36	24	2900	60 methacrylate	714	591	SC 0008-G	SC 0010-G	SCV 0011-G		
Dulux	36	230	2900	60 methacrylate	714	591	SC 0009-G	SC 0010-G	SCV 0012-G		
Dulux	55	24	4800	60 methacrylate	839	716	SC 0011-G	SC 0001-G	SCV 0013-G		
Dulux	55	230	4800	60 methacrylate	839	716	SC 0012-G	SC 0001-G	SCV 0014-G		
Linear	18	24	1300	60 methacrylate	905	785	SC 0002-G	SC 0014-G	SCV 0015-G		
Linear	18	230	1300	60 methacrylate	905	785	SC 0013-G	SC 0014-G	SCV 0016-G		
Linear	30	24	2350	60 methacrylate	1220	1077	SC 0025-G	SC 0027-G	SCV 0017-G		
Linear	30	230	2350	60 methacrylate	1220	1077	SC 0026-G	SC 0027-G	SCV 0018-G		
Linear	36	24	3250	60 methacrylate	1515	1395	SC 0028-G	SC 0030-G	SCV 0019-G		
Linear	36	230	3250	60 methacrylate	1515	1395	SC 0029-G	SC 0030-G	SCV 0020-G		
Linear	58	24	5000	60 methacrylate	1814	1680	SC 0031-G	SC 0033-G	SCV 0021-G		
Linear	58	230	5000	60 methacrylate	1814	1680	SC 0032-G	SC 0033-G	SCV 0022-G		

- further designs on request / subject to changes and errors -

Ø 60 mm glass borosilicate



sealing claps with integrated assembly angle

bulb	power watt	volt. A.C.	luminous flux lumen	tube Ø mm material	length in mm		with built-in EVG	order number	in IP 67 separate EVG
					with built-in EVG	without built-in EVG			
Dulux	7	24	400	60 glass borosilicate	357	265	SD 0010-G	SD 0012-G	SDV 0001-G
Dulux	7	230	400	60 glass borosilicate	357	265	SD 0011-G	SD 0012-G	SDV 0002-G
Dulux	9	24	600	60 glass borosilicate	364	300	SD 0013-G	SD 0015-G	SDV 0003-G
Dulux	9	230	600	60 glass borosilicate	364	300	SD 0014-G	SD 0015-G	SDV 0004-G
Dulux	11	24	900	60 glass borosilicate	460	380	SD 0016-G	SD 0018-G	SDV 0005-G
Dulux	11	230	900	60 glass borosilicate	460	380	SD 0017-G	SD 0018-G	SDV 0006-G
Dulux	18	24	1200	60 glass borosilicate	519	396	SD 0019-G	SD 0021-G	SDV 0007-G
Dulux	18	230	1200	60 glass borosilicate	519	396	SD 0020-G	SD 0021-G	SDV 0008-G
Dulux	24	24	1800	60 glass borosilicate	621	501	SD 0005-G	SD 0001-G	SDV 0009-G
Dulux	24	230	1800	60 glass borosilicate	621	501	SD 0004-G	SD 0001-G	SDV 0010-G
Dulux	36	24	2900	60 glass borosilicate	714	591	SD 0007-G	SD 0009-G	SDV 0011-G
Dulux	36	230	2900	60 glass borosilicate	714	591	SD 0008-G	SD 0009-G	SDV 0012-G
Dulux	55	24	4800	60 glass borosilicate	839	716	SD 0006-G	SD 0002-G	SDV 0013-G
Dulux	55	230	4800	60 glass borosilicate	839	716	SD 0003-G	SD 0002-G	SDV 0014-G
Linear	18	24	1300	60 glass borosilicate	905	785	SD 0022-G	SD 0024-G	SDV 0015-G
Linear	18	230	1300	60 glass borosilicate	905	785	SD 0023-G	SD 0024-G	SDV 0016-G
Linear	30	24	2350	60 glass borosilicate	1220	1077	SD 0025-G	SD 0027-G	SDV 0017-G
Linear	30	230	2350	60 glass borosilicate	1220	1077	SD 0026-G	SD 0027-G	SDV 0018-G
Linear	36	24	3250	60 glass borosilicate	1515	1395	SD 0028-G	SD 0030-G	SDV 0019-G
Linear	36	230	3250	60 glass borosilicate	1515	1395	SD 0029-G	SD 0030-G	SDV 0020-G
Linear	58	24	5000	60 glass borosilicate	1814	1680	SD 0031-G	SD 0033-G	SDV 0021-G
Linear	58	230	5000	60 glass borosilicate	1814	1680	SD 0032-G	SD 0033-G	SDV 0022-G

- further designs on request / subject to changes and errors -

Ø 60 mm methacrylate or glass borosilicate



An externally visible fine-wire fuse protects the lamp against surge voltages.

sealing claps with integrated assembly angle

illuminant	power watt	volt A.C.	tube Ø mm material	length in mm	order number
60 LED	12	24	60 methacrylate	430	<b>QL6024WM</b>
60 LED	12	230	60 methacrylate	430	<b>QL6023WM</b>
60 LED	12	24	60 glass borosilicate	430	<b>QL6024WB</b>
60 LED	12	230	60 glass borosilicate	430	<b>QL6023WB</b>

**SPECIAL FEATURES:**

- IP67 – proofed against dust and water → SAFETY, even when used in extremely wet areas
- The 60 LEDs provide a white, concentrated radiant light with no dazzling on the sides. → ideal to illuminate close-up areas
- very low heat development → no risk of injuries from burns when working close to the body of if contact is made with the lamp
- The LEDs are resistant to vibrations and have a life expectancy of up to 50,000 hours. → A total failure of all diodes is almost impossible. The light does not go out fully even at the end of its service life. This feature means a high OPERATIONAL RELIABILITY.

- further designs on request / subject to changes and errors -

Ø 50 mm polycarbonate



installation clips v. accessories

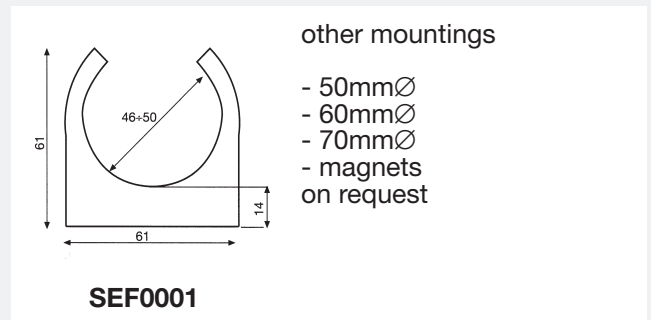
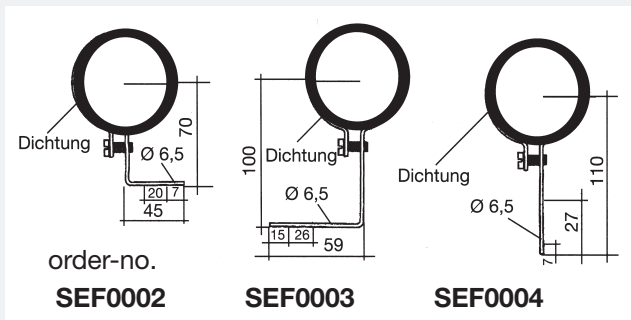
bulb	power watt	volt. A.C.	luminous flux lumen	tube Ø mm material	length in mm		with built-in EVG	order number	in IP 67 separate EVG
					with built-in EVG	without built-in EVG			
Dulux	7	24	400	50 polycarbonate	289	204	SE 0012-G	SE 0017-G	SEV 0001-G
Dulux	7	230	400	50 polycarbonate	289	204	SE 0002-G	SE 0017-G	SEV 0002-G
Dulux	9	24	600	50 polycarbonate	318	260	SE 0018-G	SE 0020-G	SEV 0003-G
Dulux	9	230	600	50 polycarbonate	318	260	SE 0019-G	SE 0020-G	SEV 0004-G
Dulux	11	24	900	50 polycarbonate	414	321	SE 0013-G	SE 0021-G	SEV 0005-G
Dulux	11	230	900	50 polycarbonate	414	321	SE 0011-G	SE 0021-G	SEV 0006-G
Dulux	18	24	1200	50 polycarbonate	444	334	SE 0008-G	SE 0022-G	SEV 0007-G
Dulux	18	230	1200	50 polycarbonate	444	334	SE 0009-G	SE 0022-G	SEV 0008-G
Dulux	24	24	1800	50 polycarbonate	546	410	SE 0014-G	SE 0023-G	SEV 0009-G
Dulux	24	230	1800	50 polycarbonate	546	410	SE 0007-G	SE 0023-G	SEV 0010-G
Dulux	36	24	2900	50 polycarbonate	637	502	SE 0015-G	SE 0024-G	SEV 0011-G
Dulux	36	230	2900	50 polycarbonate	637	502	SE 0001-G	SE 0024-G	SEV 0012-G
Dulux	55	24	4800	50 polycarbonate	762	627	SE 0016-G	SE 0025-G	SEV 0013-G
Dulux	55	230	4800	50 polycarbonate	762	627	SE 0006-G	SE 0025-G	SEV 0014-G
Linear	18	24	1300	50 polycarbonate	889	736	SE 0026-G	SE 0028-G	SEV 0015-G
Linear	18	230	1300	50 polycarbonate	889	736	SE 0027-G	SE 0028-G	SEV 0016-G
Linear	30	24	2350	50 polycarbonate	1174	1036	SE 0029-G	SE 0031-G	SEV 0017-G
Linear	30	230	2350	50 polycarbonate	1174	1036	SE 0030-G	SE 0031-G	SEV 0018-G
Linear	36	24	3250	50 polycarbonate	1484	1341	SE 0032-G	SE 0033-G	SEV 0019-G
Linear	36	230	3250	50 polycarbonate	1484	1341	SE 0005-G	SE 0033-G	SEV 0020-G
Linear	58	24	5000	50 polycarbonate	1829	1654	SE 0034-G	SE 0035-G	SEV 0021-G
Linear	58	230	5000	50 polycarbonate	1829	1654	SE 0004-G	SE 0035-G	SEV 0022-G

- further designs on request / subject to changes and errors -



for Type SA/SB 70 mm Ø

for Type SE 50 mm Ø



- Spare electronic choke, type SVN available for all lamps
- Electronic choke, type SVS (switch cabinet installation) available for all lamps

order no.  
**on request**  
**on request**

**SPECIAL FEATURES**

Sheet tube of transparent **borosilicate glass**, 5 mm wall thickness, in 60/70 mm diameter,  
 ● ideal when working with solvents, acids and organic compounds.

- no damage in the event of sparking and similar influences
- the very good light transmitting power remains for along time
- impurities on the surface can be easily removed
- the sheath tube is chill-proof and heat-resistant

Sheet tube of transparent **methacrylate**, 5 mm wall thickness, in 60/70 mm diameter  
 ● good mechanical properties  
 ● resistant to oils, fats and acids

Sheet tube of transparent **polycarbonate**, 1.5 mm wall thickness, in 50 mm diameter  
 ● polycarbonate is the right choice for purely mechanical loads  
 ● the small diameter of only 50 mm is advantageous in confined spaces

Side clips of polyamide, fibreglass-reinforced, with seals of oil-proof rubber NBR, 42 SH (O-ring)  
 ● the side seals the lamps against dust and presswater  
 ● the fastening screws are of stainless steel

- further designs on request / subject to changes and errors -